



TS 77 Door closer

The TS 77 is a basic entry level door closer in a classic yesteryear styled body. An ideal door closer for standard doors when an economical solution is required.

The TS 77 door closer is very quick and easy to install. With a selection of fixed strengths for various door widths and an optional back check function the hardest task is selecting the right choice of closer model suitable for your budget project.

Advantages at a glance:

- The economical solution for standard doors.
- Non-handed, suitable for standard, parallel arm and frame installation.
- Fully controlled closing cycle.
- Backcheck version available for door and wall protection.
- Choice of three strengths
- Door widths up to 950 mm
- Non back check & back check models
- Optional hold open function
- Outstanding value for money




Nextcraft Ltd.

Ironmongery, Curtain Rails, Blinds, Flooring,
Carpets, Automatic Sliding & Swing Doors,
Movable Partitions Renovations & much more

 0722 493 359 / 0726 399 819

 info@nextcraftke.com

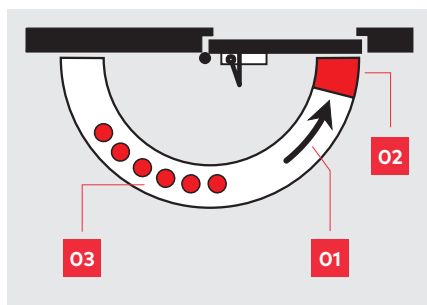
 Gate No. 95A
Limuru Road, Parklands.

 www.nextcraftke.com

Specifications

Data and features		TS 77
Closing force	Size	EN 3
Standard doors	≤ 950 mm	●
External doors, outward opening		-
Non-handed		●
Arm type standard scissor arm		●
Closing force variable at adjustment screw		-
Closing speed variable by valve adjustment		●
Backcheck		○
Delayed action		-
Hold-open		○
Weight in kg		1.7
Dimensions in mm	Length	180
	Overall depth	65
	Height	43

● yes - no ○ option



Example: left-hand (ISO 6) door, pull side fixing

- O1** Fully controlled closing with adjustable speed between 180° - 20°.
- O2** Adjustable latching action between 20° and 0°.
- O3** Hold-open range if equipped with hold-open arm (optional extra).

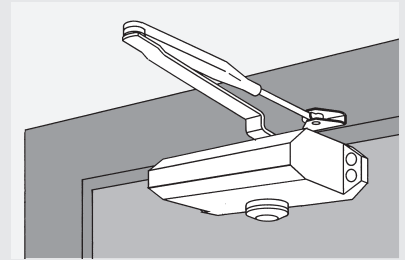
Rack-and-pinion door closer with hydraulic fully controlled closing cycle, non-handed.

Make
dormakaba **TS 77**

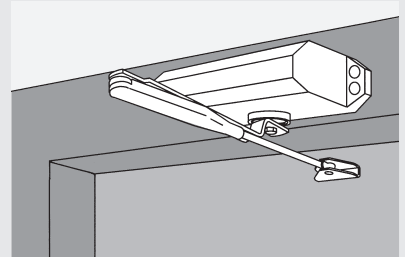
- Model**
- Size 2
 - Size 3
 - Size 4
 - With hold-open arm
 - Accessories

Colour

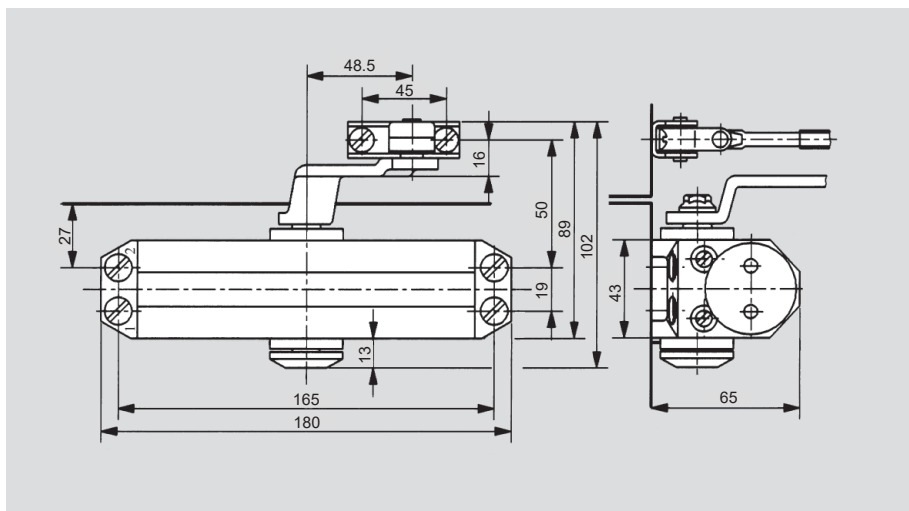
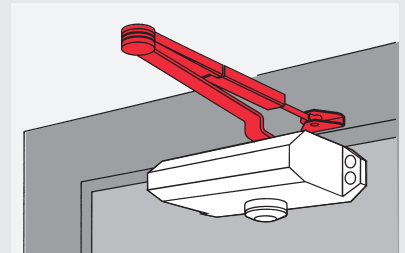
- Silver



On the pull side
Door leaf fixing (standard)



On the push side
Transom fixing (Overhead installation)



0722 493 359 / 0726 399 819

info@nextcraftke.com

Gate No. 95A
Limuru Road, Parklands.

www.nextcraftke.com