



BTS 60

Basic Floor spring



Ironmongery, Curtain Rails, Blinds, Flooring,
Carpets, Automatic Sliding & Swing Doors,
Movable Partitions Renovations & much more

☎ 0722 493 359 / 0726 399 819

✉ info@nextcraftke.com

📍 Gate No. 95A
Limuru Road, Parklands.

🌐 www.nextcraftke.com

The basic floor spring designed for light traffic double action doors

With the BTS 60, DORMA offers a floor spring that is designed for light use double action doors for basic requirement.

It is used for the standard double action doors with the door width up to 1,000mm and a maximum door weight of 80kg.

Closing speed adjustment is optimized with two regulating valves.

The compact and shallow design ensures an ideal application for limited floor depth.

Benefits

For the trade

- Low cost solution for low traffic doors.
- Standard solution including accessories.

For the installer

- Easy installation thanks to shallow design.
- Easy to adapt to individual requirements with dual valve control 130° to 15° and 15° to 0°.

For the architect/specifier

- Easy solution for single leaf doors .
- Door weights up to 80 kg and door width up to 1000 mm.
- Minimum floor recess dimension.

For the user

- DORMA quality in the basic segment.
- Comfortable door operation with low effort.
- Optional mechanical hold-open at 90°.

Technical Data		BTS 65
Spring strength	Size	3
Standard doors ^{1) 2)}	≤ 1000 mm	●
Max. door weight in kg		80
Closing speed variable by valve adjustment	130°-15° 15°-0°	●
Backcheck		-
Hold-open point 90°		○
Weight in kg, approx.		4,4
Dimensions in mm	Length	274
	Width	97
	Height	40

● Yes – No ○ Option

¹⁾ For applications involving particularly high or heavy doors, and doors which have to close against wind or draught conditions, the DORMA BTS 80 should be selected.

²⁾ Max. opening 130°. Door stop necessary for doors which can open further than 130°.

Standard and optional functions

Closing ranges

The floor spring has two controlled closing ranges:

Valve 1: 130° – 15°

Valve 2: 15° – 0°.

1 Infinitely variable closing speed in the range 130° – 15°.

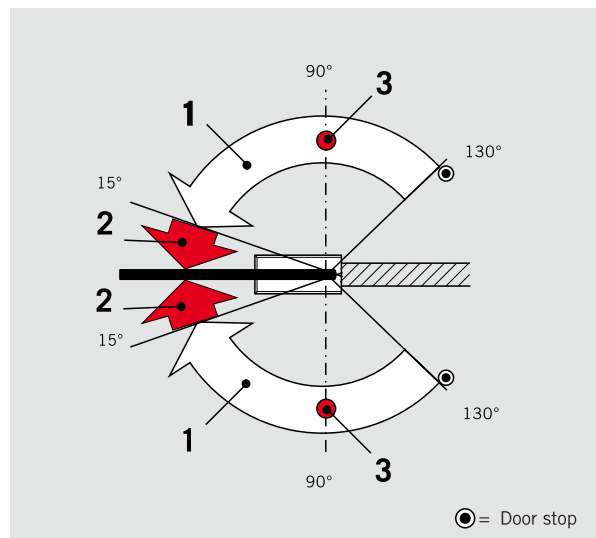
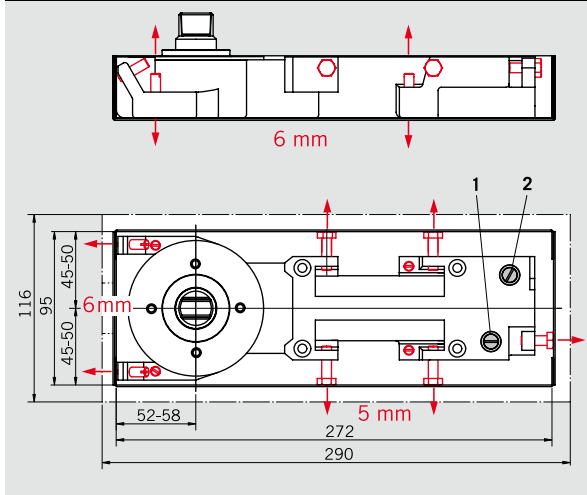
2 Second closing range 15° – 0°.

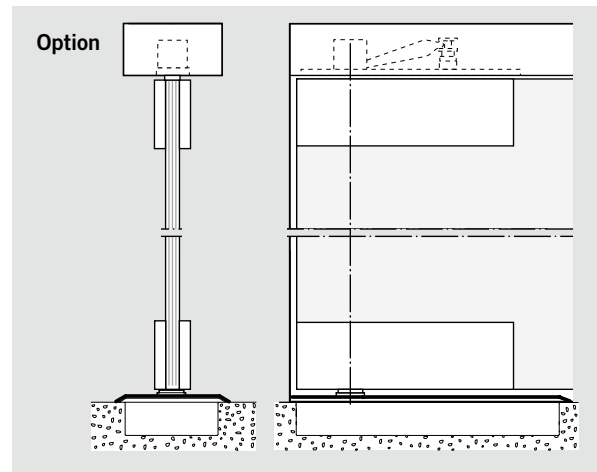
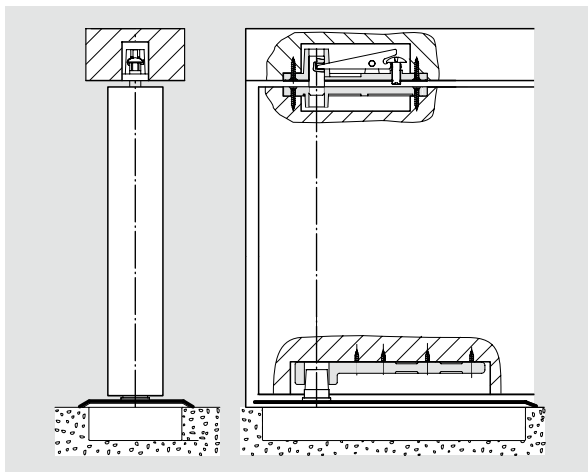
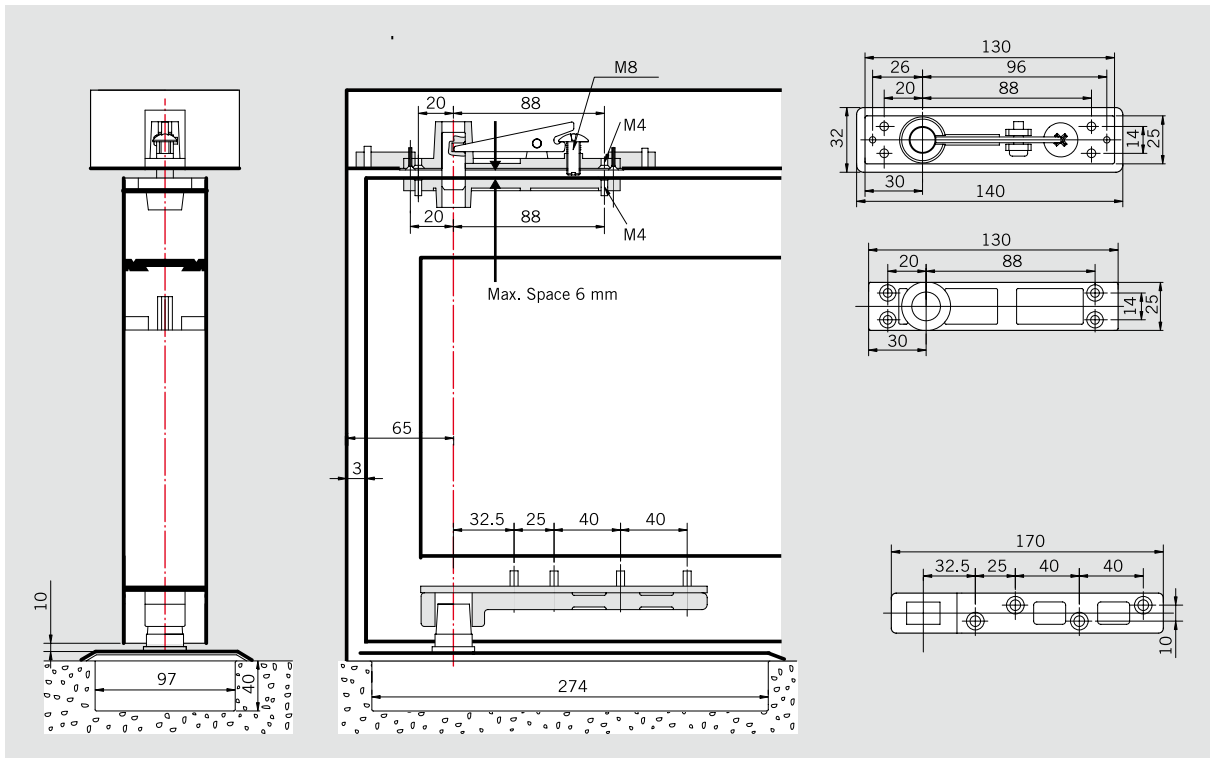
Hold-open

With optional integrated single-point hold-open at 90°.

3 Hold open at 90° (optional extra).

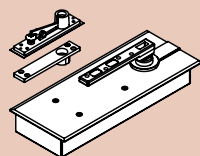
Measurements



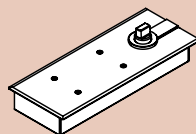


Standard equipment and accessories

Floor Spring
BTS 60 size 3
including top centres
and bottom strap



Floor Spring
BTS 60 size 3



Standard

25060305

25060405

with 90° hold-open

25160305

25160405

If another application than the standard is required, we recommend BTS 75V/84.

Specification text

Floor spring for double action doors, size 3, with hydraulic fully controlled closing from approx. 130°; including cement box and spindle.

Models

- Standard
 - including top centres and bottom strap
- Hold-open 90°
 - including top centres and bottom strap

Make: DORMA BTS 60



Door Control



Automatic



**Glass Fittings
and Accessories**



**Security/Time
and Access (STA)**



Movable Walls



0722 493 359 / 0726 399 819

info@nextcraftke.com

Gate No. 95A
Limuru Road, Parklands.

www.nextcraftke.com