

Assured Quality. Better Price.

hepo

hepo

Product Catalogue
Middle East & Africa

Index

Furniture Fittings	Page No.
Hinges	
Auto Closing Slide-on Regular Hinges	5
Auto Closing Slide-on Soft Close Hinges	5
Auto Closing Clip-on Soft Close Hinges	6-7
Flap Hinges	8
Drawer Channels	
Telescopic Channel (Regular)	10
Telescopic Channel (Silent)	10
Under Mount Channel	11
Double Walled Drawer System	
Classic Box	13-14
Stainless Steel Wire Products	
Wire Baskets	16
Kitchen Accessories	17
Bathroom Accessories	18-19
Furniture Locks	
Multipurpose Locks	21
Espagnolette Locks	22
Lift-Ups	
Bi-Fold Lift-Up	24
Gas Pumps	25-26
Bed Fittings	28
Special Application Fitting	
Turn Table	29
Aluminum Profiles	31-34
Handles	36-37

Furniture Fittings	Page No.
Connecting Fittings	
Cam, Steel Dowel & Socket	39
Wooden Dowel	40
L-Bracket	40
D- Nut (Steel), Hex Metal Socket, T-Nut & Barrel Nut	41
Leveller Screws	42
JCBC Bolt, Allen Bolt/ Socket Head Bolt & HEX Bolt	43
Door Hardware	
Butt Hinges	45
Door Closer	46
Tower Bolts	47
Screws & Fasteners	
Stainless Steel Screws	
CSK Saw Thread Magnetic & Non-Magnetic Screw	51
CSK Regular Thread Non-magnetic Screw	51
Chip Board Screws	
CSK Head Saw Thread & Regular Thread Screw	52
Blackodised CSK	52
PAN Head Saw Thread & Regular Thread Screw	53
PAN Head Chipboard Screw	53
Self Drilling Screw with Ribs	54
Hexagonal Head Self Drilling Screw with Washer	54
Handle Fixing Screw	55
Black Screws	
Drywall Screw	55
Truss Head Screw	55
Accessories	
Drive Bit & Screw Driver	56



Hepo is a subsidiary of Hepo Investments NL B.V. Netherlands and is primarily in the business of manufacturing and marketing Furniture Fittings, Door Hardware, and Screws & Fasteners. Within a short span of time, Hepo has become one of the fastest growing brands in the Furniture Fittings category and a force to reckon with. Hepo's core brand proposition of 'Assured Quality. Better Price.' is re-defining the value proposition in the fittings industry.

Hepo has an impressive product portfolio consisting of Furniture Fittings, Door Hardware and Screws & Fasteners, thereby providing holistic solutions for all hardware needs.

Assured Quality. Better Price.



Furniture Fittings form the backbone of any furniture. They essentially lend aesthetic versatility and convenience with their endless permutations and combinations for creating trendy & innovative furniture. Hepo offers value for money fittings that provide assured quality at a better price. The range includes Telescopic Runners, Hinges, Furniture locks, Bed Fitting Mechanism, Screws, Lift-ups, Handles and more, thereby providing fitting solutions for all spaces.



HePo offers a range of hinges for cabinet doors, room doors & windows for a wide range of shutter thickness, different closing options & for various door materials. Functional quality of the hinges are certified as per European norms and material quality is certified against rusting.

Auto Closing Slide-on Hinges

Regular & Soft Closing

hepo

Auto Closing Slide-on Hinges



Technical Specification:

- ▶ Concealed hinge with slide on assembly
- ▶ Available in regular & soft closing options
- ▶ For door thickness 14 - 25 mm
- ▶ Opening angle: 105°
- ▶ Cup diameter 35 mm
- ▶ Cup depth 11.5 mm
- ▶ Integrated overlay adjustment + 0.5 mm / - 2.5 mm
- ▶ Integrated depth adjustment + 2 mm / - 2 mm
- ▶ Height adjustment at mounting plate
- ▶ Hinge arm material: Steel, Nickel plated

Quality Assurance:

- ▶ **Quality classification under EN 15570, Level 1**
- ▶ Tested & Certified for 20,000 Cycles

Cup Distance C	Door thickness											
	14	15	16	17	18	19	20	21	22	23	24	25
3	0.04	0.12	0.23	0.38	0.59	0.85	1.18	1.61	2.22	2.96	3.76	4.6
4	0.04	0.11	0.22	0.37	0.56	0.81	1.11	1.49	1.99	2.63	3.36	4.15
4.5	0.04	0.11	0.22	0.36	0.55	0.79	1.08	1.45	1.91	2.5	3.2	3.96
5	0.04	0.11	0.21	0.36	0.54	0.77	1.06	1.41	1.84	2.39	3.04	3.77
6	0.04	0.1	0.2	0.34	0.52	0.74	1.01	1.33	1.73	2.21	2.79	3.46
7	0.04	0.1	0.2	0.33	0.5	0.71	0.97	1.27	1.64	2.07	2.59	3.2



Auto Closing Slide-on Regular Hinges

Description (Retail Packing)	Unit	Article No.	PU
0 Crank hinge with Mounting Plate (2 hole)	Pc	9284697+9284813	100
9.5 Crank hinge with Mounting Plate (2 hole)	Pc	9284698+9284813	100
16 Crank hinge with Mounting Plate (2 hole)	Pc	9284809+9284813	100
0 Crank hinge with Mounting Plate (4 hole)	Pc	9284697+ 9284814	100
9.5 Crank hinge with Mounting Plate (4 hole)	Pc	9284698+ 9284814	100
16 Crank hinge with Mounting Plate (4 hole)	Pc	9284809+ 9284814	100

Auto Closing Slide-on Soft Closing Hinges

Description (Retail Packing)	Unit	Article No.	PU
0 Crank hinge with Mounting Plate (2 hole)	Pc	9284810+9284813	100
9.5 Crank hinge with Mounting Plate (2 hole)	Pc	9284811+9284813	100
16 Crank hinge with Mounting Plate (2 hole)	Pc	9284812+9284813	100
0 Crank hinge with Mounting Plate (4 hole)	Pc	9284810+9284814	100
9.5 Crank hinge with Mounting Plate (4 hole)	Pc	9284811+9284814	100
16 Crank hinge with Mounting Plate (4 hole)	Pc	9284812+9284814	100

***Note:**

- ▶ Article number mentioned for 1 pc of product
- ▶ Order 2 Hinges & 2 Mounting Plates

Auto Closing Clip-on Soft Close Hinges



Technical Specification:

- ▶ Concealed hinge with Clip on assembly
- ▶ Available with integrated soft closing option
- ▶ For door thickness: 16- 24 mm
- ▶ Opening angle: up to 105 °
- ▶ Cup diameter: 35 mm
- ▶ Cup depth: 11.5 mm
- ▶ Mounting plate available with 2 holes, 4 holes & with Eccentric screw
- ▶ Material: Steel Nickel plated

Quality Assurance:

- ▶ **Quality Classification under EN 15570, Level 1**
- ▶ Tested for 20,000 functional cycles

C- value	Door Thickness									
	B	16	17	18	19	20	21	22	23	24
3	0.4	0.6	0.8	1.2	1.6	2.2	2.9	3.7	4.6	
4	0.4	0.6	0.8	1.1	1.5	2.0	2.6	3.3	4.1	
5	0.4	0.6	0.8	1.1	1.4	1.8	2.4	3.0	3.8	
6	0.4	0.5	0.7	1.0	1.3	1.7	2.2	2.8	3.5	
7	0.3	0.5	0.7	1.0	1.3	1.6	2.1	2.6	3.2	



Description (Retail Packing)	Unit	Article No.	PU
0 Crank hinge with Damper, Mounting Plate (2 Hole)	Pc	9290745+9290750	100
9.5 Crank hinge with Damper, Mounting Plate (2 Hole)	Pc	9290746+9290750	100
16 Crank hinge with Damper, Mounting Plate (2 Hole)	Pc	9290747+9290750	100
0 Crank hinge with Damper, Mounting Plate (4 Hole)	Pc	9290745+9290751	100
9.5 Crank hinge with Damper, Mounting Plate (4 Hole)	Pc	9290746+9290751	100
16 Crank hinge with Damper, Mounting Plate (4 Hole)	Pc	9290747+9290751	100
0 Crank hinge with Damper, Mounting Plate (Eccentric)	Pc	9290745+9290752	100
9.5 Crank hinge with Damper, Mounting Plate (Eccentric)	Pc	9290746+9290752	100
16 Crank hinge with Damper, Mounting Plate (Eccentric)	Pc	9290747+9290752	100
0 Crank with hepo logo	Pc	9294814	100
9.5 / 16 Crank with hepo logo	Pc	9294815	100

***Note:**

- ▶ Article no. mentioned for 1 pc of product
- ▶ Order 2 Hinges, 2 Mounting Plates & 2 Cover Caps separately

Auto Closing Clip-on Soft Close Hinges

For Thick Doors

hepo

Auto Closing Clip-on Soft Close Hinges



Technical Specification:

- ▶ Concealed hinge with Clip on assembly
- ▶ Available with integrated soft closing option
- ▶ For door thickness: 16- 40 mm
- ▶ Opening angle: up to 95°
- ▶ Cup diameter: 40 mm
- ▶ Cup depth: 12.9 mm
- ▶ Mounting plate available with 2 holes, 4 holes & with Eccentric screw
- ▶ Material: Steel Nickel plated

Quality Assurance:

- ▶ **Quality Classification under EN 15570, Level 1**
- ▶ Tested for 20,000 functional cycles

C-Value	Door Thickness																																							
	16	17	18	19	20	21	22	23	24	25	26	27	28	29	30	31	32	33	34	35	36	37	38	39	40															
3	0	0.2	0.3	0.4	0.5	0.6	0.8	0.9	1.1	1.3	1.6	1.8	2.5	3.5	4.5	5.4	6.4	7.4	8.3	9.3	10	11	12	13	14															
4	0	0.1	0.3	0.4	0.5	0.6	0.8	0.9	1.1	1.3	1.5	1.8	2.5	2.9	3.8	4.7	5.7	6.7	7.7	8.6	9.6	11	12	13																
5	0	0.1	0.2	0.3	0.5	0.6	0.7	0.9	1.1	1.3	1.5	1.7	2	2.3	3.2	4.1	5.1	6.1	7	7.8	8.7	9.7	11	12	13															
6	0	0.1	0.2	0.3	0.4	0.5	0.7	0.9	1	1.2	1.5	1.7	2	2.3	2.7	3.6	4.4	5.3	6.3	7.2	8.1	9.1	10	11	12															
7	0	0.1	0.2	0.3	0.4	0.5	0.7	0.9	1	1.2	1.4	1.7	2	2.1	2.5	3.1	4	4.9	5.7	6.6	7.5	8.5	9.4	10	11															



Description (Retail Packing)	Unit	Article No.	PU
0 Crank hinge with Damper, Mounting Plate (2 Hole)	Pc	9312221+9290750	100
9.5 Crank hinge with Damper, Mounting Plate (2 Hole)	Pc	9312222+9290750	100
16 Crank hinge with Damper, Mounting Plate (2 Hole)	Pc	9312223+9290750	100
0 Crank hinge with Damper, Mounting Plate (4 Hole)	Pc	9312221+9290751	100
9.5 Crank hinge with Damper, Mounting Plate (4 Hole)	Pc	9312222+9290751	100
16 Crank hinge with Damper, Mounting Plate (4 Hole)	Pc	9312223+9290751	100
0 Crank hinge with Damper, Mounting Plate (Eccentric)	Pc	9312221+9290752	100
9.5 Crank hinge with Damper, Mounting Plate (Eccentric)	Pc	9312222+9290752	100
16 Crank hinge with Damper, Mounting Plate (Eccentric)	Pc	9312223+9290752	100
0 Crank with hepo logo	Pc	9294814	100
9.5 / 16 Crank with hepo logo	Pc	9294815	100

*Note:

- ▶ Article no mentioned for 1 pc of product
- ▶ Order 2 Hinges, 2 Mounting Plates & 2 Cover Caps separately

Flap Hinges



Technical Specification:

- ▶ Flap hinge for overlay flaps
- ▶ Separate installation of bottom panel and flap element
- ▶ Flap alignment through adjustment of height, sides & depth
- ▶ Same drilling sizes in bottom panel and flap elements
- ▶ Hole drilling concealed by rim on both parts
- ▶ Bottom panel and flap are flush on the inside when opened without adjusting height
- ▶ Can only be used in conjunction with flap stays
- ▶ Material Used: Zinc Alloy, Nickel plated

Set Includes: 1 Flap Hinge with 6 Screws(M3*15)

Flap thickness TD MM	Minimum Reveal SF MM
16	1.0
17	2.0
18	3.0
19	3.5

Description	Unit	Article No.	PU
Hepo Flap Hinge	Pc	9297879	200



Heko drawer channels are full extension runners used to run drawers & wire baskets in kitchen & wardrobe cabinets smoothly and silently. Heko offers ball bearing channels with better designed tracks for heavy weight carrying capacity and guaranteed up to 50,000 functional cycles. Available in Zinc & Black finish & also available in Silent Closing option.

Heavy Duty Telescopic Channel

Regular & Silent Closing



Telescopic Channel



Technical Specification:

- ▶ Full extension ball bearing runner with normal & silent closing
- ▶ Carefully designed tracks create ease of operation & better dynamic load behaviour
- ▶ Installation width required for regular telescopic runner: 12.5 mm
- ▶ Installation width required for silent telescopic runner: 12.7 mm
- ▶ Available channel height for regular telescopic runner: 45 mm
- ▶ Available channel height for silent telescopic runner: 45.6 mm
- ▶ Available regular channel length: 250 mm – 550 mm (Zinc)
250 mm – 550 mm (Black)
- ▶ Available silent channel length: 300 mm – 550 mm (Zinc)
- ▶ Material used: Steel
- ▶ Finish: Zinc plated / Black

Quality Assurance:

- ▶ Guaranteed up to 30,000 functional cycles
- ▶ 48 hrs salt spray tested against rusting for regular telescopic channel

Description		Size	Unit	Article No.	PU
Regular Telescopic channel - Zinc		10"- 250 mm	Pair	9298666	10
Regular Telescopic channel - Zinc		12"- 300 mm	Pair	9298668	10
Regular Telescopic channel - Zinc		14"- 350 mm	Pair	9298669	10
Regular Telescopic channel - Zinc		16"- 400 mm	Pair	9298670	10
Regular Telescopic channel - Zinc		18"- 450 mm	Pair	9298701	10
Regular Telescopic channel - Zinc		20"- 500 mm	Pair	9298702	10
Regular Telescopic channel - Zinc		22"- 550 mm	Pair	9298703	10

Description		Size	Unit	Article No.	PU
Regular Telescopic channel - Black		10"- 250 mm	Pair	9300364	10
Regular Telescopic channel - Black		12"- 300 mm	Pair	9300365	10
Regular Telescopic channel - Black		14"- 350 mm	Pair	9300366	10
Regular Telescopic channel - Black		16"- 400 mm	Pair	9300367	10
Regular Telescopic channel - Black		18"- 450 mm	Pair	9300368	10
Regular Telescopic channel - Black		20"- 500 mm	Pair	9300369	10
Regular Telescopic channel - Black		22"- 550 mm	Pair	9300370	10

Description		Size	Unit	Article No.	PU
Silent Telescopic Channel - Zinc		300 mm	Pair	9293951	10
Silent Telescopic Channel - Zinc		350 mm	Pair	9293903	10
Silent Telescopic Channel - Zinc		400 mm	Pair	9293904	10
Silent Telescopic Channel - Zinc		450 mm	Pair	9293905	10
Silent Telescopic Channel - Zinc		500 mm	Pair	9293906	10
Silent Telescopic Channel - Zinc		550 mm	Pair	9295964	10

Under Mount Drawer Channel



Under Mount MK-03 Drawer Channel



Technical Specification:

- ▶ Full extension drawer runner with soft closing features
- ▶ For Wooden drawers
- ▶ Slide on installation with catches and tool-less height adjustment
- ▶ Weight capacity 30 Kg
- ▶ Available channel length: 300-550 mm
- ▶ Suitable for drawers with a side profile thickness of up to 16 mm
- ▶ Installation width 21 mm
- ▶ Material: Steel, Galvanized

Set Includes:

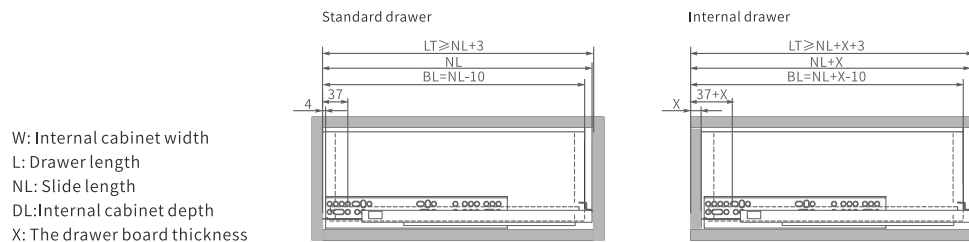
- ▶ 2 PCs drawer channels & 2 PCs catch

Quality Assurance:

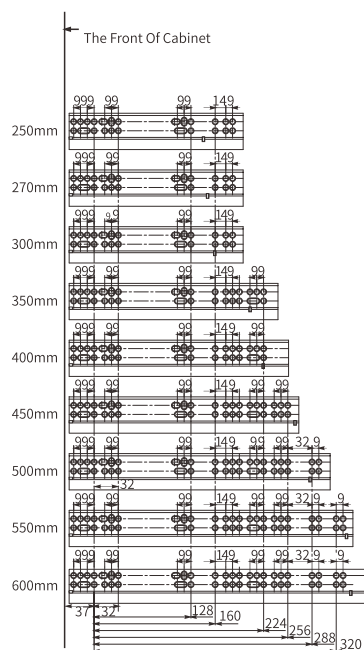
- ▶ 50,000 functional cycles tested

S.No.	Description	Nominal Length (mm)	Unit	Article No.	PU
1	Hepo UMR ME Fu300-12"Silent	300	Pair	932765400	10
2	Hepo UMR ME Fu350-14"Silent	350	Pair	932765500	10
3	Hepo UMR ME Fu400-16"Silent	400	Pair	932765600	10
4	Hepo UMR ME Fu450-18"Silent	450	Pair	932765800	10
5	Hepo UMR ME Fu500-20"Silent	500	Pair	932765900	10
6	Hepo UMR ME Fu550-22"Silent	550	Pair	932766000	10

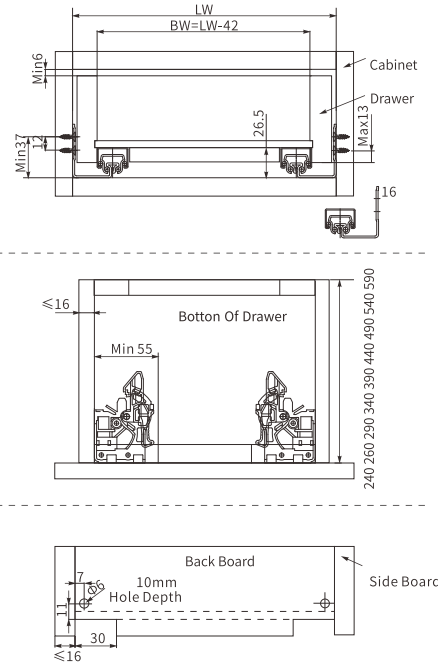
Installation Diagram & Drilling Pattern

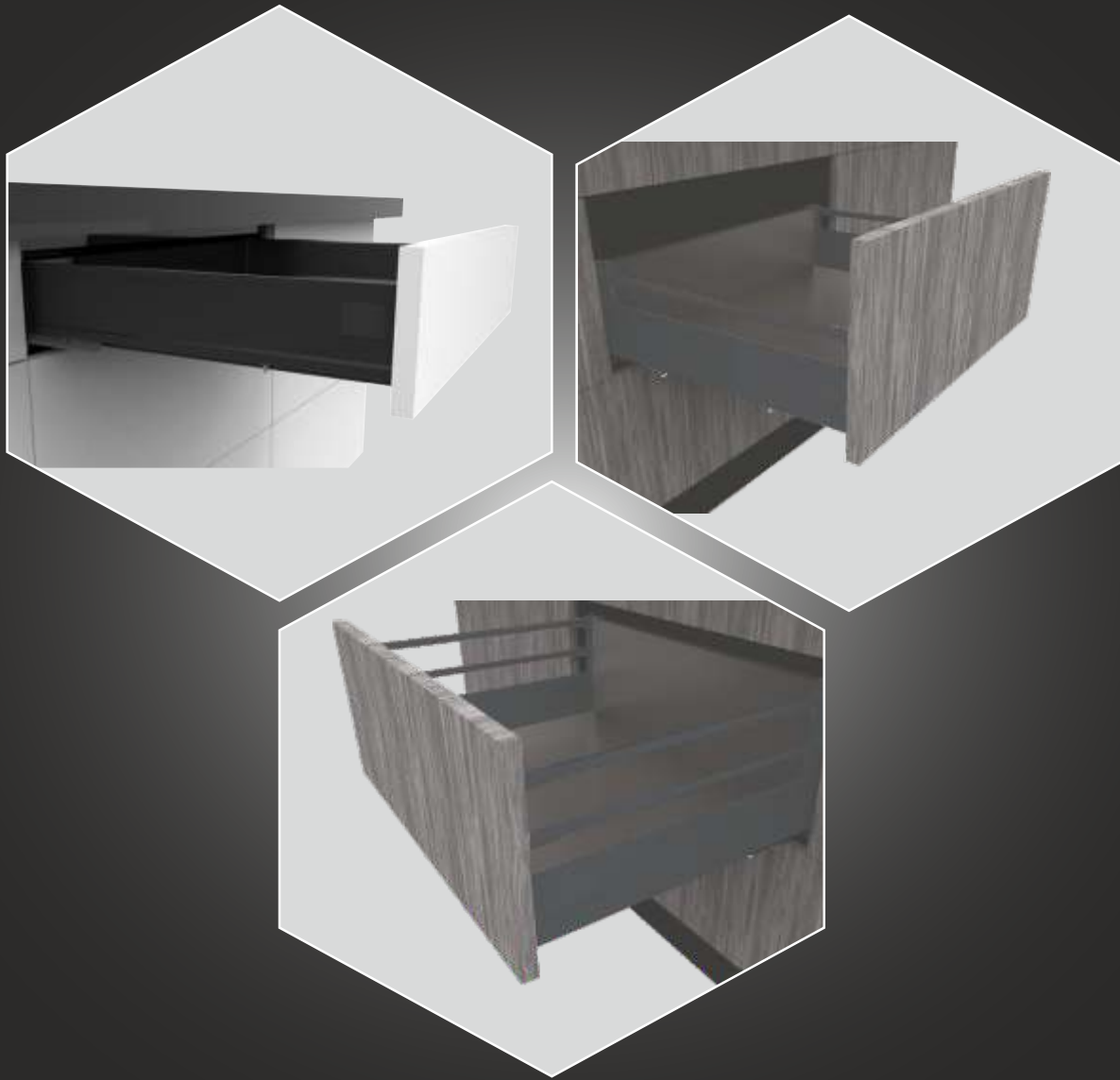


Slides Drilling Holes Size(mm)



Installation Technical Drawing





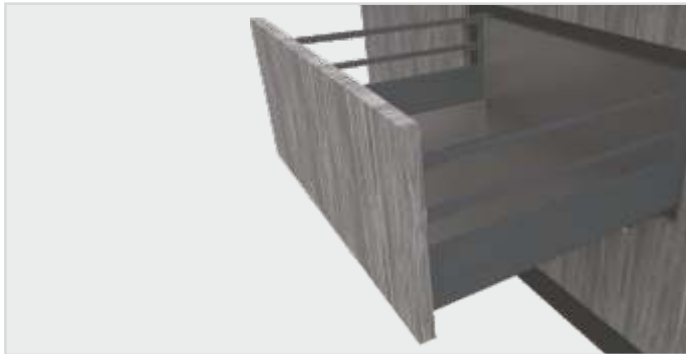
Hepo Double Walled Drawer System with concealed runners provides a high degree of stability and durability to the furniture. It is designed to suit any type of furniture, be it in the kitchen, bathroom, bedroom, living room or office. These soft close drawer systems are convenient, sturdy, smooth to operate and stylish.

Double Walled Drawer System

Classic Box



Classic Box (H84 mm)

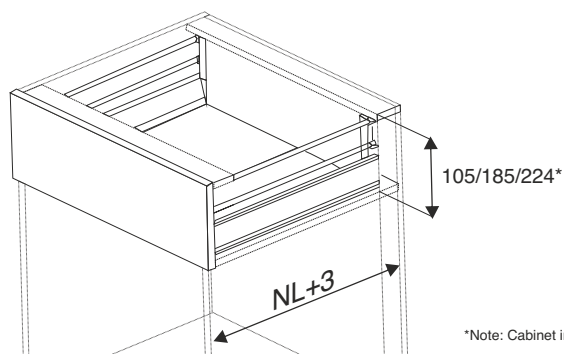


Technical Specification

- ▶ Drawer height 84/167/199 mm
- ▶ Nominal Length: 500 mm
- ▶ Weight capacity: 35 Kg
- ▶ Available with height & width adjustment ± 1.5 mm
- ▶ Finish: Light Grey (LG), Dark Grey (DG), Silver White (SW) & Silver Grey (SG)

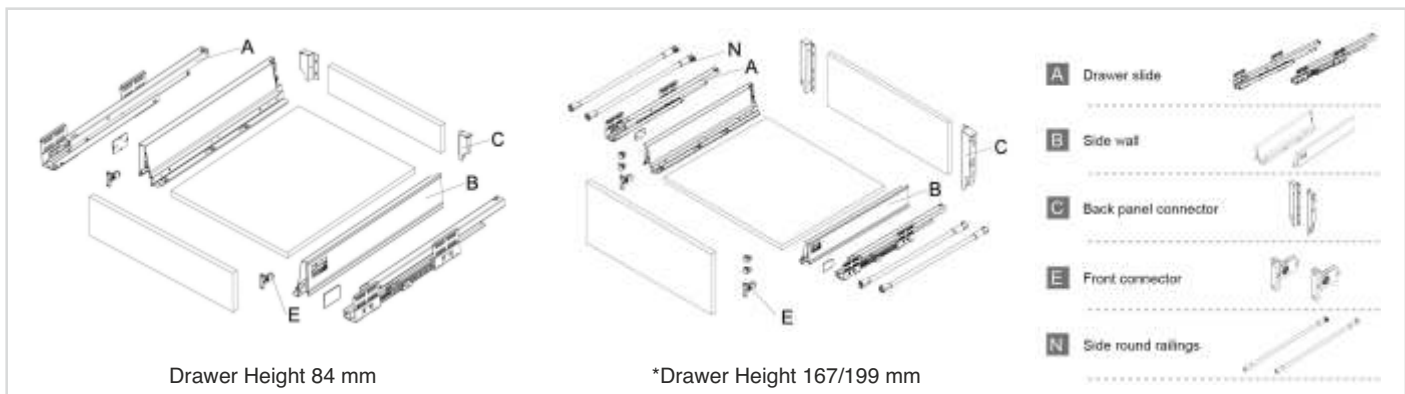
Description	Unit	Article no	PU
Hepo Double Skin drawer system H84L500SW	Set	932605100	1
Hepo Double Skin drawer system H167L500SW	Set	932605200	1
Hepo Double Skin drawer system H199L500SW	Set	932605300	1
Hepo Double Skin drawer system H84L500DG	Set	932605400	1
Hepo Double Skin drawer system H167L500DG	Set	932605500	1
Hepo Double Skin drawer system H199L500DG	Set	932605600	1
Hepo Double Skin drawer system H84L500LG	Set	932835100	1
Hepo Double Skin drawer system H167L500LG	Set	932835200	1
Hepo Double Skin drawer system H199L500LG	Set	932835300	1
Hepo Double Skin drawer system H84L500SG	Set	932835400	1
Hepo Double Skin drawer system H167L500SG	Set	932835500	1
Hepo Double Skin drawer system H199L500SG	Set	932835600	1

Space Required



*Note: Cabinet internal height as per drawer height

Set Components

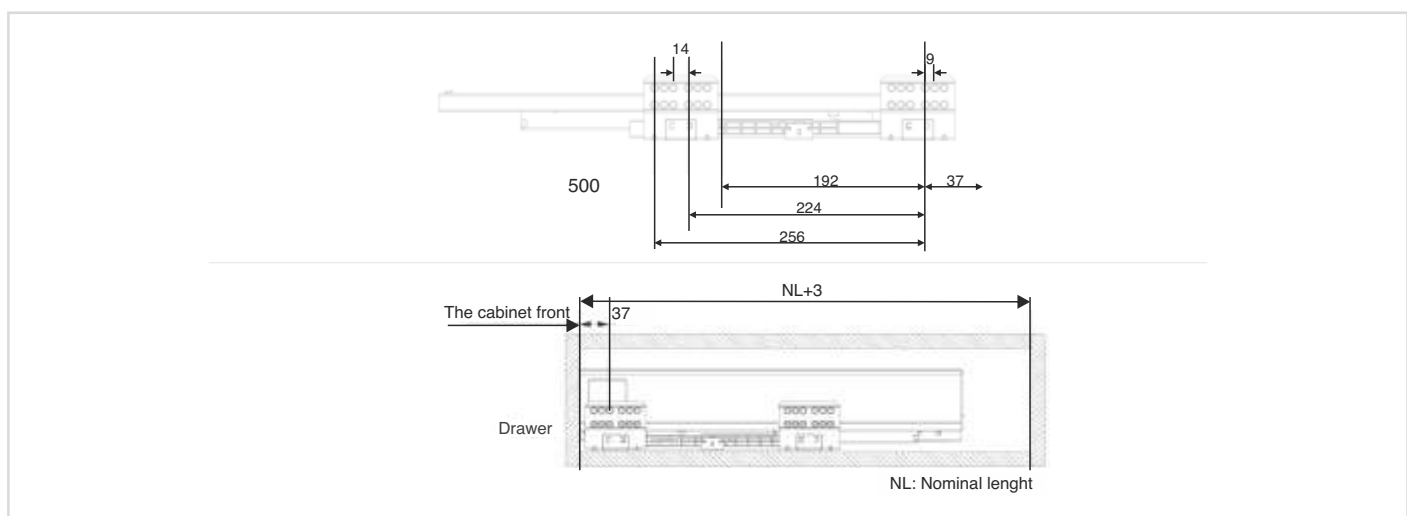


Drawer Height 84 mm

*Drawer Height 167/199 mm

*H167 mm with Single Railing & H199 mm with Double Railing

Installation Dimensions



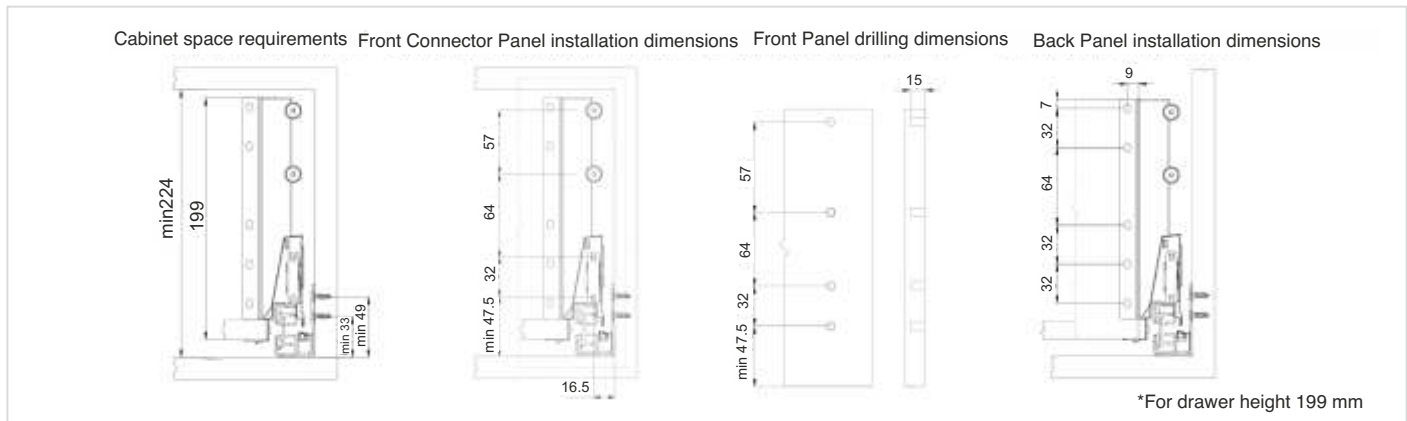
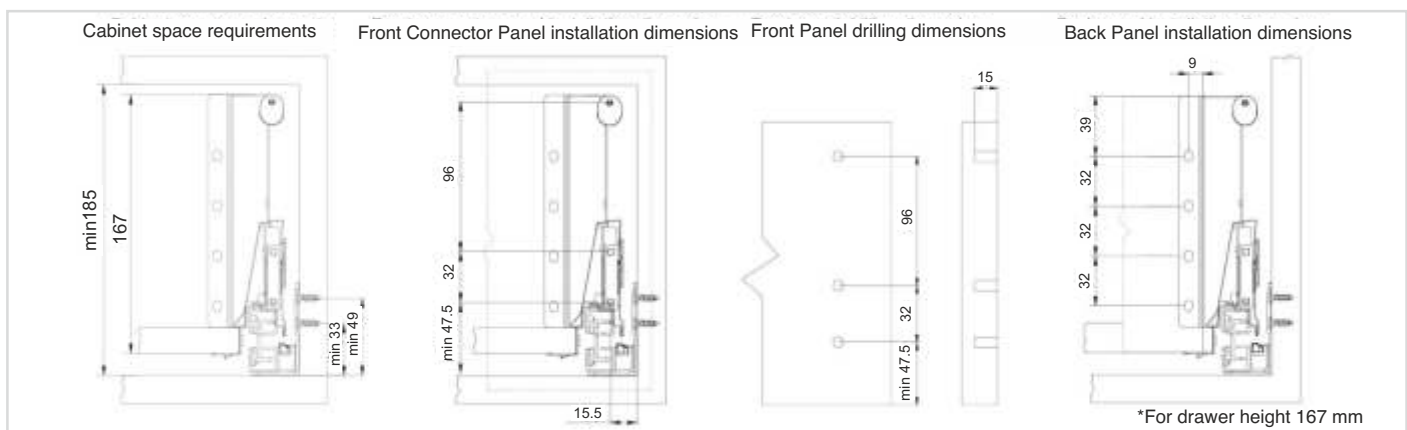
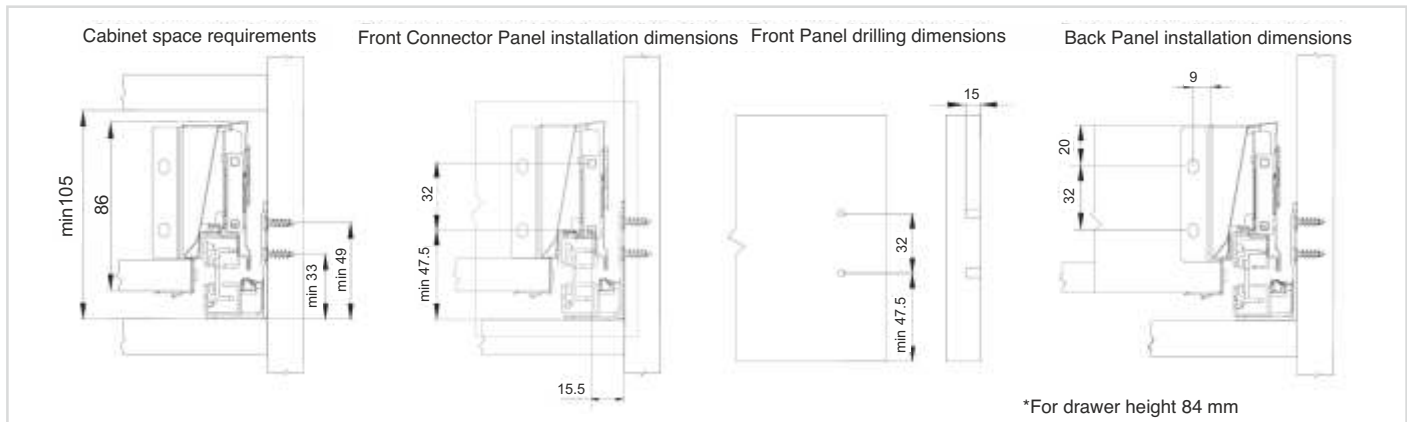
NL: Nominal length

Double Walled Drawer System

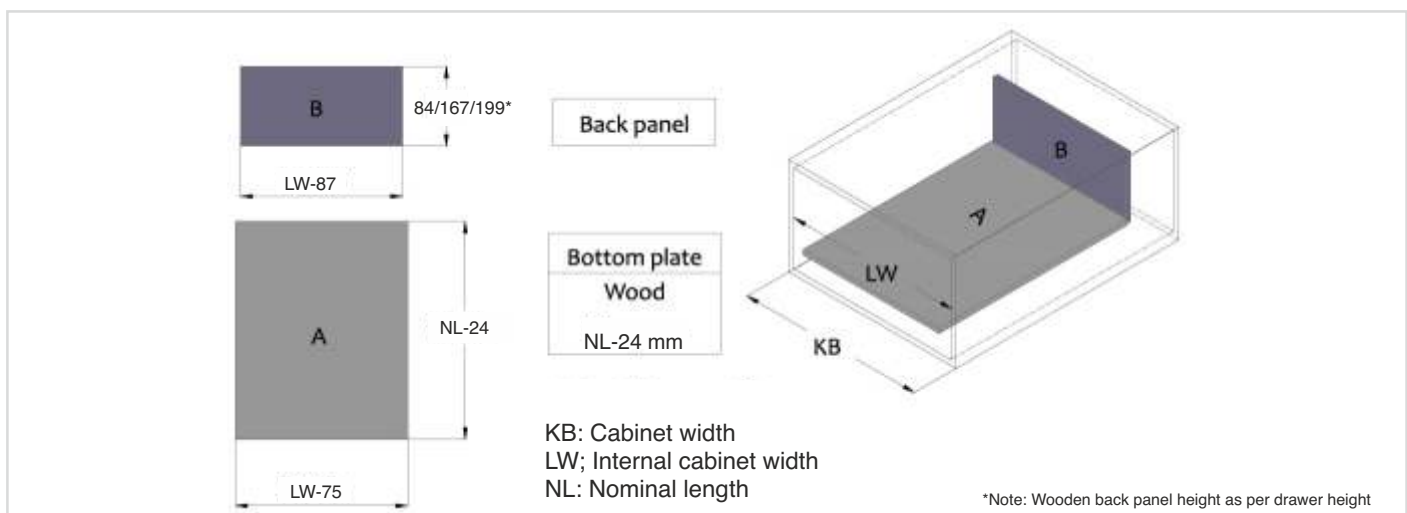
Classic Box



Installation Dimensions



Cutting Dimensions for Back & Bottom Panel





Hepo Wire products are made of Stainless Steel that impart a sense of style and convenience. The range consists of a number of accessories that help to organise storage perfectly in kitchen & bathroom.

The accessories not only add on style to your bathroom but also enhance the level of convenience.

Stainless Steel Wire Products

Wire Baskets

hepo



Plain Basket

- ▶ Unique sleek elegant design
- ▶ 30 kg weight carrying capacity
- ▶ Convenient for storing different sized kitchen utensils

Article No.	Size (WxDxH)*	Unit	PU
9280319	380x500x100	Pc	6
9280320	380x500x150	Pc	4
9280351	380x500x200	Pc	3
9280354	430x500x100	Pc	6
9280355	430x500x150	Pc	4
9280356	430x500x200	Pc	3
9280359	480x500x100	Pc	6
9280360	480x500x150	Pc	4
9280361	480x500x200	Pc	3
9280364	530x500x100	Pc	6
9280365	530x500x150	Pc	4
9280366	530x500x200	Pc	3



Cup & Saucer Basket

- ▶ Recommended shutter height min. 180 mm
- ▶ 500 mm depth can hold 18 no. of saucers, 380 mm width can hold 8 no. of cups & 530 mm can hold 16 no. of cups respectively

Article No.	Size (WxDxH)*	Unit	PU
9280352	380x500x100	Pc	6
9280357	430x500x100	Pc	6
9280362	480x500x100	Pc	6
9280367	530x500x100	Pc	6



Thali Basket

- ▶ Recommended shutter height min. 360 mm
- ▶ 500 mm depth can hold 11 no. of thalis

Article No.	Size (WxDxH)*	Unit	PU
9280353	380x500x150	Pc	4
9303976	380x500x200	Pc	4
9280358	430x500x150	Pc	4
9303977	430x500x200	Pc	4
9280363	480x500x150	Pc	4
9303978	480x500x200	Pc	4
9280368	530x500x150	Pc	4
9303979	530x500x200	Pc	4

*Sizes in mm

Stainless Steel Wire Products

Kitchen Accessories

hepo



Spice Pull-out

- ▶ Three tier pull-out storage system for spice containers
- ▶ Suitable for cabinet widths 150 mm, 200 mm & 300 mm
- ▶ Available Pull-out dimensions W94xD500xH575 mm, W134xD500xH575 mm, W234xD500xH575 mm
- ▶ Suitable for mounting on left/right side (W94 & W134 only) & diagonally (W134 & W234 only)
- ▶ Weight carrying capacity up to 22.5 Kg (W94), 26.5 Kg (W134) & 30 Kg (W234) with KA telescopic runner
- ▶ Package Contain: 1 Wire Basket, 4 Fascia Clamps, 8 Fascia Screws
- ▶ Material: Stainless Steel
- ▶ Finish: Chrome Plated
- ▶ Available with Food grade certification for wire basket

Article No.	Size (WxDxH)*	Unit	PU
9292096	94x500x575	Pc	6
9292097	134x500x575	Pc	4
9292098	234x500x575	Pc	2



Bottle Pull-out

- ▶ Two tier pull-out storage system for Bottles in kitchen
- ▶ Suitable for cabinet widths 150 mm, 200 mm & 300 mm
- ▶ Available Pull-out dimensions W94xD500xH460mm, W134xD500xH460mm, W234xD500xH460mm
- ▶ Suitable for mounting on the left/right side (W94 & W134 only) & diagonally (W134 & W234 only)
- ▶ Weight carrying capacity up to 22.5 Kg (W94), 26.5 Kg (W134) & 30 Kg (W234) with KA telescopic runner
- ▶ Package Contain: 1 Wire Basket, 4 Fascia Clamps, 8 Fascia Screws
- ▶ Material: Stainless Steel
- ▶ Finish: Chrome Plated
- ▶ Available with Food grade certification for wire basket

Article No.	Size (WxDxH)*	Unit	PU
9292100	94x500x460	Pc	6
9292101	134x500x460	Pc	4
9292102	234x500x460	Pc	2



Cutlery Basket

- ▶ Convenient for storing various cutleries in kitchen
- ▶ Suitable for cabinet widths 450 mm, 500 mm, 550 mm & 600 mm
- ▶ Available basket dimensions W383xD500xH100, W436xD500xH100, W486xD500xH100 mm, W536xD500xH100
- ▶ Compatible with KA telescopic only
- ▶ Available with front panel adjustment
- ▶ Material: Stainless Steel
- ▶ Finish: Chrome Plated
- ▶ Available with Food grade certification for wire basket

Article No.	Size (WxDxH)*	Unit	PU
9303980	383X500X100	Pc	1
9303991	436X500X100	Pc	1
9303992	486X500X100	Pc	1
9303994	536X500X100	Pc	1

*Sizes in mm



Towel Rail



A cool practical home addition that keeps your towel dry & keeps the humid smell at bay.

- ▶ Package contains 1 towel rail, 2 cover caps & 5 wall fixing screws
- ▶ Can hold 2 hand towels

Description	Article No.	Size (WxDxH) mm	Unit	PU
Towel Rail - 350 mm	9280378	350x100x100	Pc	8

Towel Rack



Stack your towels neatly on the rack which looks good, provides easy storage & keeps your bathroom hygienic.

- ▶ Package contains 1 towel rack, 2 cover caps & 5 wall fixing screws
- ▶ Can hold 3 folded towels on the surface & 3 towels or clothes can be hung

Description	Article No.	Size (WxDxH) mm	Unit	PU
Towel Rack- 450mm	9280377	450x250x150	Pc	1

Clothes Hook



Put an end to the unsightly view of used & unused clothes lying around in the bathroom with an easy and compact place to hang them.

- ▶ Package contains 1 cloth hook, 2 cover caps & 5 wall fixing screws
- ▶ Can hold 9 nos of clothes or full size towels

Description	Article No.	Size (WxDxH) mm	Unit	PU
Clothes Hook	9280371	447x55x133	Pc	10

Accessory Shelf



Hepo Accessory Shelf can hold an assortment of daily use items.

- ▶ Package contains 1 accessory shelf, 1 plastic tray, 2 cover caps & 5 wall fixing screws
- ▶ Can hold a variety of bottles in different sizes

Description	Article No.	Size (WxDxH) mm	Unit	PU
Accessory Shelf - W300	9280369	300x100x120	Pc	8
Accessory Shelf - W450	9280370	450x100x120	Pc	6

Corner Shelf



Hepo Corner Shelf is a sleek corner unit that can hold multiple essential items.

- ▶ Package contains 1 corner shelf, 1 plastic tray, 2 cover caps & 5 wall fixing screws
- ▶ Can hold a variety of bottles in different sizes along with other items

Description	Article No.	Size (WxDxH) mm	Unit	PU
Corner Shelf	9280372	300x300x120	Pc	1



Hand Towel Holder



The product helps retain a high level hygiene factor in the bathroom by keeping towels dry & gives a pleasant contemporary twist to the bathroom landscape.

- ▶ Package contains 1 hand towel holder, 1 cover cap & 3 wall fixing screws
- ▶ Can hold 2 hand towels

Description	Article No.	Size (WxDxH) mm	Unit	PU
Hand Towel Holder - 220 mm	9280373	220x70x100	Pc	10

Tooth Brush Holder



Tooth brush holders prevent unnecessary usage of basin space by toothbrush containers.

- ▶ Package contains 1 tooth brush holder, 1 plastic tray, 1 cover cap & 3 wall fixing screws
- ▶ Can hold 4-6 toothbrushes, tongue cleaner & 1 toothpaste tube / mouthwash

Description	Article No.	Size (WxDxH) mm	Unit	PU
Tooth Brush Holder	9280376	150x100x70	Pc	15

Soap & Shampoo Holder



Hepo Soap & Shampoo Holder allows you to place your favourite shampoo & soap in a conveniently accessible way.

- ▶ Package contains 1 soap holder, 1 plastic tray, 1 cover cap & 3 wall fixing screws
- ▶ Can hold 1 soap and 1 shampoo bottle or shower gel
- ▶ Bottom hook can hold loofah or body scrubber

Description	Article No.	Size (WxDxH) mm	Unit	PU
Soap & Shampoo Holder	9280374	200x115x125	Pc	10

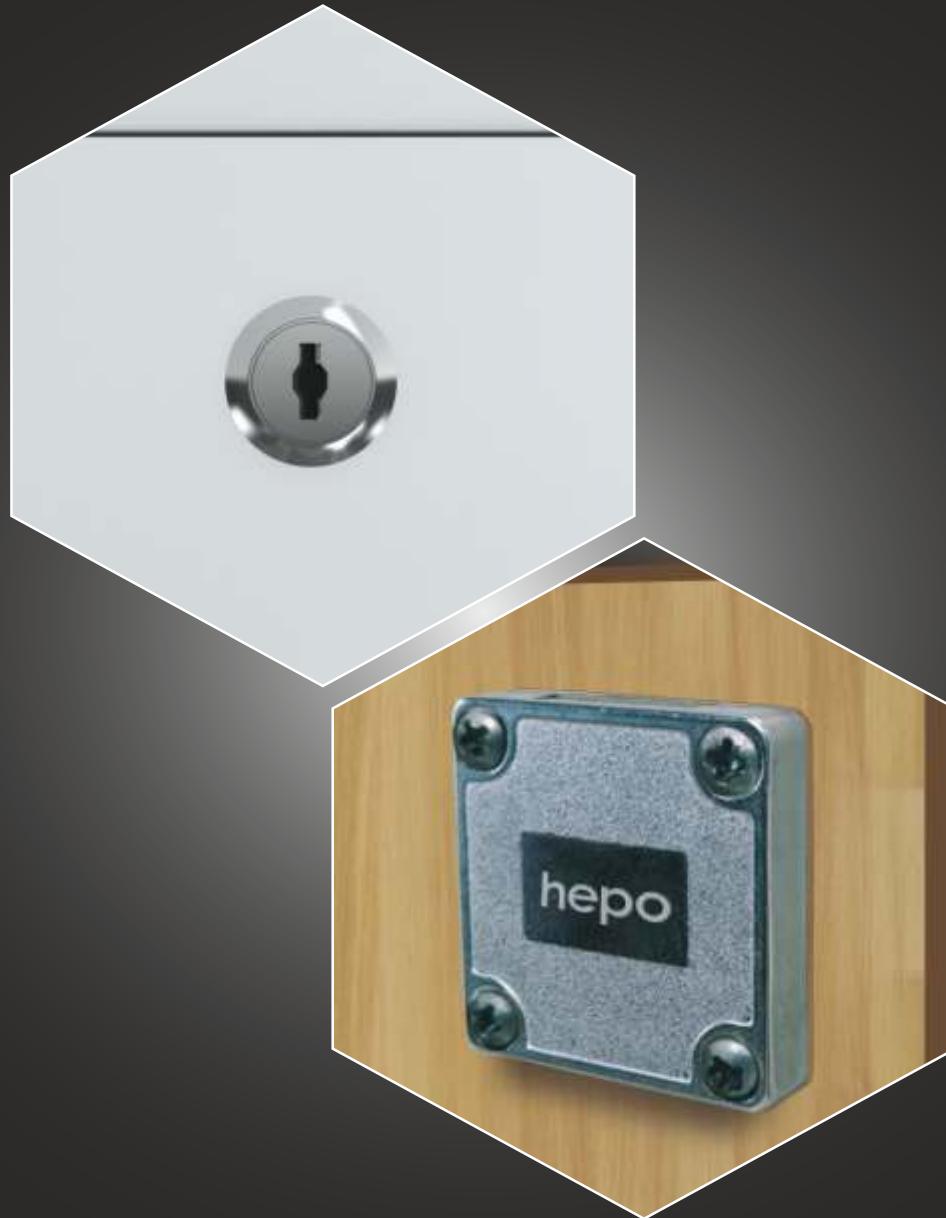
Tissue Roll Holder



Hepo Tissue Roll Holder with plastic tray is a stylish product that maintains elite factor while maintaining hygiene. It rolls the tissues well so that they come out with ease when needed.

- ▶ Package contains 1 tissue roll holder, 1 plastic tray, 1 cover cap & 3 wall fixing screws
- ▶ Can hold 1 tissue roll and some other articles on plastic tray

Description	Article No.	Size (WxDxH) mm	Unit	PU
Tissue Roll Holder	9280375	200x105x110	Pc	12



Ideal locking solution for Home & Office environments for locking drawers and wardrobes. These locks are adjustable for both left/right hand operation and are available with 120 key combinations.

Furniture Locks

Economic Multipurpose Locks

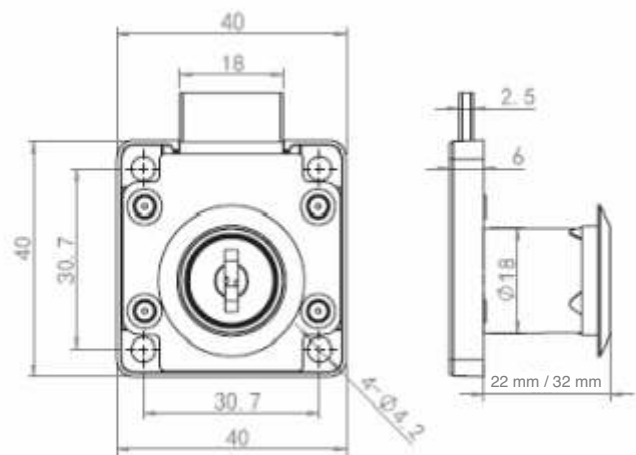


Economic Multipurpose Locks

Multipurpose locks throw a bolt / tongue out allowing the door to be locked when closed. These locks can be used in a number of applications particularly in any cabinet & drawer construction. It can secure the cabinet door and requires a key for the cabinet to be opened. These locks are ideal for office environments as they allow to lock private & confidential papers securely. In addition to this, they are also suitable for homes & can keep valuables, private & confidential papers or snacks locked securely in your cupboard out of reach of unwanted attention.

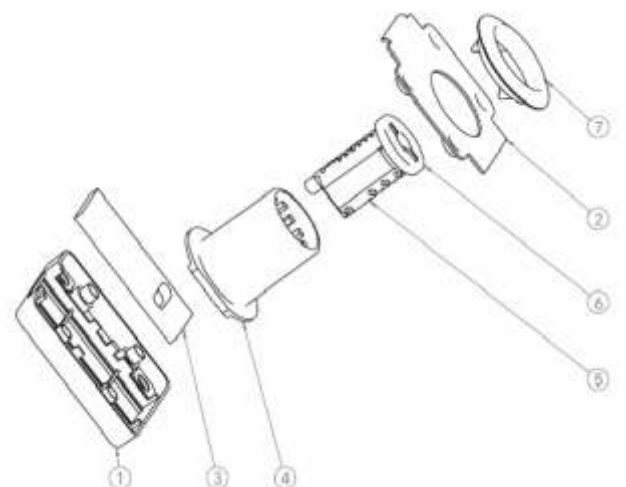
Technical Specification:

- ▶ Adjustable for left/right-hand operation
- ▶ Available for 22 mm / 32 mm panel thickness
- ▶ Complete with rosette
- ▶ Available with max. 120 Key Combinations
- ▶ Available with 2 iron keys
- ▶ Tested for 30000 functional cycles
- ▶ Material: Zinc & Steel



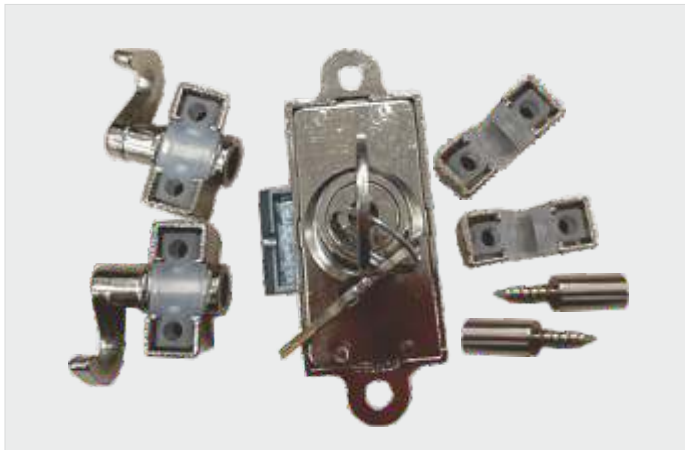
Set Comprises

Sr No:	Description	Quantity
1	Based Cover	1
2	Front Cover	1
3	Bolt	1
4	Cylinder Cover	1
5	Cylinder	1
6	Cylinder Front Cover	1
7	Ring	1



Description	Unit	Article No.	PU
Economic MP Lock 120 KC, 22 mm	Pc	9287295	120
Economic MP Lock 120 KC, 32 mm	Pc	9291595	120

Espagnolette Locks



Technical Specification:

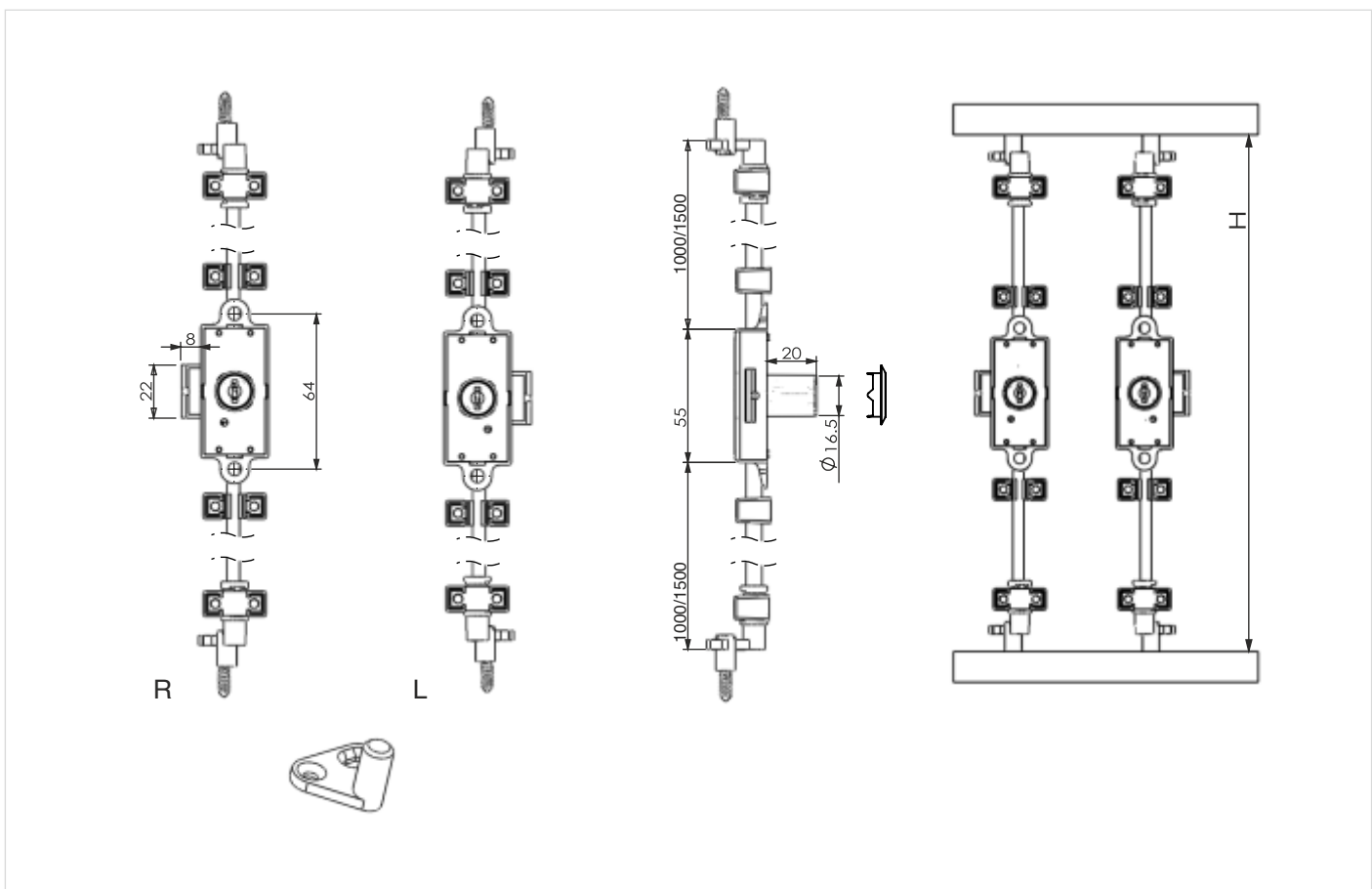
- ▶ Three-way locking system for cabinet doors
- ▶ Usable for both left & right
- ▶ Used for 20 mm door thickness
- ▶ Available with rosette
- ▶ Barrel dia.: 16.5 mm
- ▶ Available rod length: 1000 mm & 1500 mm

Set contains:

- ▶ 1 espagnolette lock, for left / right -hand operation
- ▶ 1 rosette
- ▶ 1 pair of locking hooks, left / right
- ▶ 2 rod saddles
- ▶ 2 stop pin
- ▶ 2 keys

Note: Order rods as per cabinet height

Installation Diagram



Product description	Unit	Article No.	PU
Espagnolette Lock D16/20	Set	9299249	10
Espagnolette Lock Rod 6/5 1m Nickel	Pc	9299283	10
Espagnolette Lock Rod 6/5 1.5m Nickel	Pc	9299284	10



Ergonomically functional Lift-up solutions are used to create storage space for all the extra items that need to be stored while ensuring convenience of access.

Advanced Lift-up

Bi-Fold Lift-up

hepo

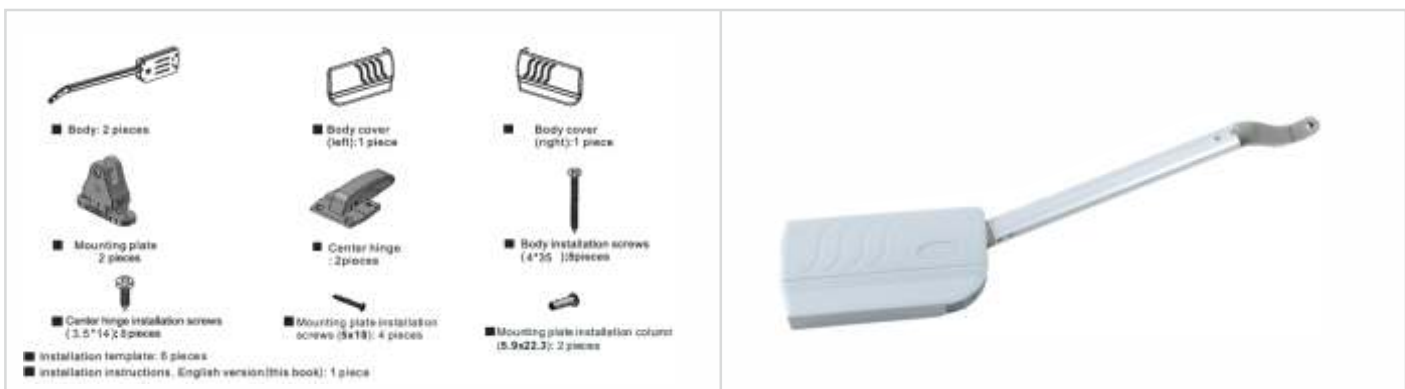
Bi-Fold Lift-up



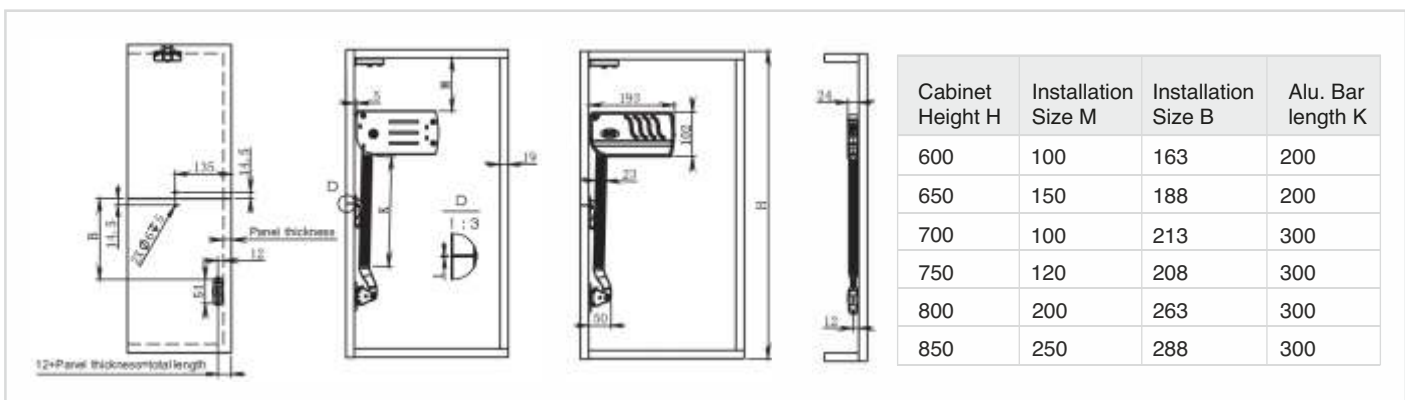
Technical Specification:

- ▶ Bi-fold lift-up for overhead cabinets with high performance & smooth operation
- ▶ Recommended for wooden front panel or Aluminium profile with 55 mm width
- ▶ Stops at any opening position
- ▶ Available with silent opening & closing system
- ▶ Available with three dimensional front panel adjustment
- ▶ Recommended to use with concealed furniture hinges with 110° opening angle
- ▶ Recommended cabinet outer to outer height: 600-850 mm
- ▶ Recommended maximum cabinet width: ≤ 700, ≤ 900 & ≤ 1200 mm
- ▶ Recommended front panel thickness: 16-18 mm
- ▶ Front panel will sprung open if fingers get caught between two panels
- ▶ No protruding parts
- ▶ Reliable & smooth performance within a wide temperature range of 0°C to 40 °C
- ▶ Materials used: Zinc alloy, Plastic & Iron
- ▶ Finish: Nickel plating & Chrome plating

Set Contains



Installation Drawing



Description (Retail Packing)	Cabinet size (H x W) mm	Unit	Article No.	PU
Hepo Bi-fold Lift-up Version 5, Max 5 kg	H 600 x W (600 - 700)	Set	9320383	1
Hepo Bi-fold Lift-up Version 7, Max 7 kg	H 600 x W (800 - 900)	Set	9320384	1
Hepo Bi-fold Lift-up Version 9, Max 9 kg	H 600 x W (1000 - 1200)	Set	9320385	1
Hepo Bi-fold Lift-up Version 8, Max 8 kg	H 700 x W (900)	Set	9299178	1
Hepo Bi-fold Lift-up Version 10, Max 10 kg	H 700 x W (1200)	Set	9299179	1

Gas Pumps

Guaranteed for 50,000 cycles



Gas Pumps

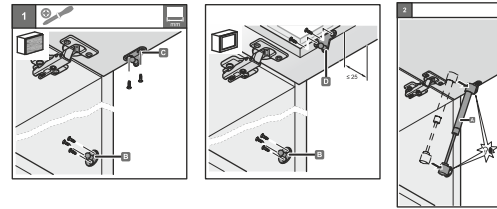


Technical Specification:

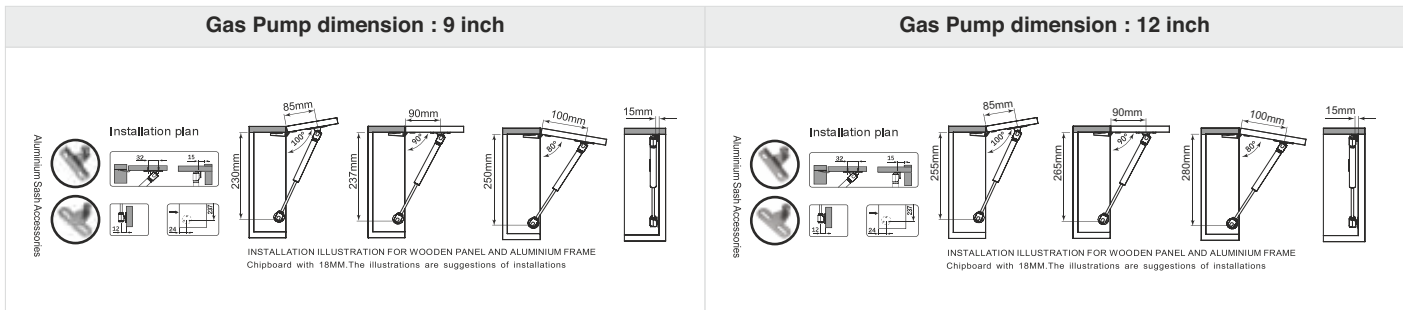
- ▶ Suitable for wooden or aluminium framed shutter
- ▶ Needs auto-closing hinges fitted in the shutter for operation
- ▶ Flap weight (including handle) carrying capacity: 3.2 Kg to 35 kg
- ▶ Force of pump: 80N-350N
- ▶ Gas Pumps dimension: 9 inch (270 mm) / 12 inch (301 mm)
- ▶ Performance temperature range of +45°C to -25°C

Quality Assurance:

- ▶ Tested for 50,000 cycles by SGS, Switzerland



Installation Diagram



Maximum Door Weight

H (mm) (kg)	75°				90°				100°			
	300	400	500	600	300	400	500	600	300	400	500	600
60N	3.3kg	2.8kg	2kg	1.8kg	3.1kg	2.6kg	1.8kg	1.4kg	2.9kg	2.4kg	1.6kg	1.2kg
80N	4.3kg	3.5kg	2.6kg	2kg	4.1kg	3.3kg	2.4kg	1.8kg	3.9kg	3.1kg	2.2kg	1.6kg
100N	5kg	4.1kg	3.2kg	2.5kg	4.8kg	4kg	3kg	2.3kg	4.6kg	3.8kg	2.8kg	2kg
120N	5.7kg	4.7kg	3.8kg	3kg	5.5kg	4.5kg	3.4kg	2.8kg	5.3kg	4.3kg	3.3kg	2.6kg
150N	6.5kg	5.5kg	4.7kg	3.7kg	6.2kg	5.3kg	4.5kg	3.5kg	6kg	5.1kg	4.3kg	3.3kg
200N	9.3kg	7.5kg	5.5kg	4.8kg	9.1kg	7.3kg	5.3kg	4.6kg	8.9kg	7.1kg	5.1kg	4.4kg
250N		9.7kg	8kg	5.5kg		9.5kg	7.8kg	5.3kg		9.3kg	7.6kg	5.1kg
300N		12.2kg	9.3kg	7.7kg		12kg	9.1kg	7.5kg		11.8kg	8.9kg	7.3kg
350N		15.8kg	10kg	9.2kg		15.6kg	9.8kg	9kg		15.3kg	9.6kg	8.7kg

Gas Pumps for Overheads - 9 inch	Unit	Article No.	PU	Gas Pumps for Overheads - 12 inch	Unit	Article No.	PU
Gas Pump Capacity - 8 KG / 9 inch	Pair	9289456	1	Gas Pump Capacity - 8 KG / 12 inch	Pair	9289474	1
Gas Pump Capacity - 10 KG / 9 inch	Pair	9289457	1	Gas Pump Capacity - 10 KG / 12 inch	Pair	9289475	1
Gas Pump Capacity - 12 KG / 9 inch	Pair	9289458	1	Gas Pump Capacity - 12 KG / 12 inch	Pair	9289476	1
Gas Pump Capacity - 15 KG / 9 inch	Pair	9289469	1	Gas Pump Capacity - 15 KG / 12 inch	Pair	9289477	1
Gas Pump Capacity - 20 KG / 9 inch	Pair	9289470	1	Gas Pump Capacity - 20 KG / 12 inch	Pair	9289478	1
Gas Pump Capacity - 25 KG / 9 inch	Pair	9289471	1	Gas Pump Capacity - 25 KG / 12 inch	Pair	9289479	1
Gas Pump Capacity - 30 KG / 9 inch	Pair	9289472	1	Gas Pump Capacity - 30 KG / 12 inch	Pair	9289481	1
Gas Pump Capacity - 35 KG / 9 inch	Pair	9289473	1	Gas Pump Capacity - 35 KG / 12 inch	Pair	9289482	1

Gas Pumps

Guaranteed for 30,000 cycles



Gas Pumps



Technical Specification:

- ▶ Suitable for wooden shutter
- ▶ Needs auto-closing hinges fitted in the shutter for operation
- ▶ Flap weight (including handle) carrying capacity: 15 Kg to 30 kg
- ▶ Force of pump: 150N-300N
- ▶ Gas Pumps dimension: 12 inch
- ▶ Performance temperature range of +45°C to -25°C

Quality Assurance:

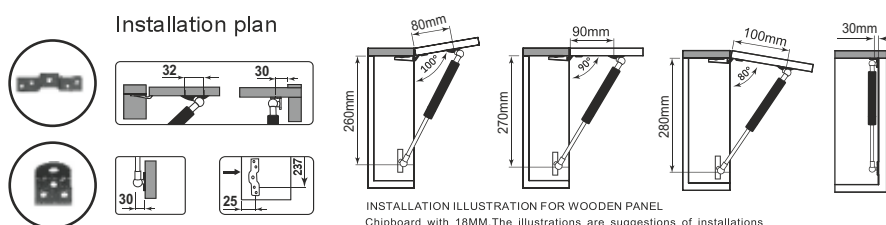
- ▶ Tested for 30,000 cycles
- ▶ 6 hrs. salt spray tested against rusting

Package contains:

- ▶ 2 pcs gas pump
- ▶ 4 pcs fixing part
- ▶ 14 pcs screws
- ▶ 4 screw nuts

Installation Diagram

Gas Pump dimension : 12 inch



INSTALLATION ILLUSTRATION FOR WOODEN PANEL
Chipboard with 18MM. The illustrations are suggestions of installations

Maximum Door Weight

H (mm) (kg)	75°				90°				100°			
	300	400	500	600	300	400	500	600	300	400	500	600
60N	3.3kg	2.8kg	2kg	1.8kg	3.1kg	2.6kg	1.8kg	1.4kg	2.9kg	2.4kg	1.6kg	1.2kg
80N	4.3kg	3.5kg	2.6kg	2kg	4.1kg	3.3kg	2.4kg	1.8kg	3.9kg	3.1kg	2.2kg	1.6kg
100N	5kg	4.1kg	3.2kg	2.5kg	4.8kg	4kg	3kg	2.3kg	4.6kg	3.8kg	2.8kg	2kg
120N	5.7kg	4.7kg	3.8kg	3kg	5.5kg	4.5kg	3.4kg	2.8kg	5.3kg	4.3kg	3.3kg	2.6kg
150N	6.5kg	5.5kg	4.7kg	3.7kg	6.2kg	5.3kg	4.5kg	3.5kg	6kg	5.1kg	4.3kg	3.3kg
200N	9.3kg	7.5kg	5.5kg	4.8kg	9.1kg	7.3kg	5.3kg	4.6kg	8.9kg	7.1kg	5.1kg	4.4kg
250N		9.7kg	8kg	5.5kg		9.5kg	7.8kg	5.3kg		9.3kg	7.6kg	5.1kg
300N		12.2kg	9.3kg	7.7kg		12kg	9.1kg	7.5kg		11.8kg	8.9kg	7.3kg
350N		15.8kg	10kg	9.2kg		15.6kg	9.8kg	9kg		15.3kg	9.6kg	8.7kg
500N		18.7kg	15.1kg	10.8kg		18.3kg	14.9kg	10.6kg		18.1kg	14.7kg	10.4kg

Gas Pumps for Overheads - 12 inch	Unit	Article No.	PU
Gas Pump Capacity - 15 KG / 12 inch / Black	Pair	9320017	1
Gas Pump Capacity - 20 KG / 12 inch / Black	Pair	9320018	1
Gas Pump Capacity - 25 KG / 12 inch / Black	Pair	9320019	1
Gas Pump Capacity - 30 KG / 12 inch / Black	Pair	9320020	1



Hepo range of Bed fittings address the need for space efficiency. It offers a complete and effective solution for accessing storage spaces below the heavy mattresses with ease. Most households store bed linen, pillows, & blankets which are required seasonally underneath their mattresses in the bed storage space.

Bed Fittings

Bed Fitting Frame & Gas Pumps



Bed Fittings



Technical Specification:

- ▶ Perfect storage space saving solution
- ▶ Large opening for easy access under the bed
- ▶ Opening from either side or foot of the bed is workable
- ▶ Easy to use
- ▶ Noiseless and effortless operation
- ▶ International quality mechanism
- ▶ Black Powder Coated finish
- ▶ Gas Pumps: Passed SGS Test Reliable
- ▶ Frame Material : Q235
- ▶ Frame Thickness: 4 mm
- ▶ Length of Gas Pumps: 340 mm
- ▶ Weight carrying capacity of Gas Pumps: 70kg/ 100kg/ 120kg/ 150kg/ 200kg
- ▶ Gas Pumps Material: Steel
- ▶ Finish: Powder Coated Black color

Set includes:

- ▶ 1 pair of Bed lift mechanism,
- ▶ Mounting screws & nuts pack
- ▶ 1 installation manual

Bed Fitting Frames & Gas Pumps



Description	Article No.	Unit	PU
Bed Fitting Frame - 520 mm	9315515	Set	1
Bed Fitting Frame - 1100 mm	9304139	Set	1
Bed Fitting Frame - 1500 mm	9304140	Set	1
Gas Pump 340 mm / 70Kg	9282630	Set	1
Gas Pump 340 mm / 100Kg	9282631	Set	1
Gas Pump 340 mm / 120Kg	9282633	Set	1
Gas Pump 340 mm / 150Kg	9296534	Set	1
Gas Pump 340 mm / 200Kg	9319824	Set	1

* Gas Pumps set to be ordered as per required weight capacity

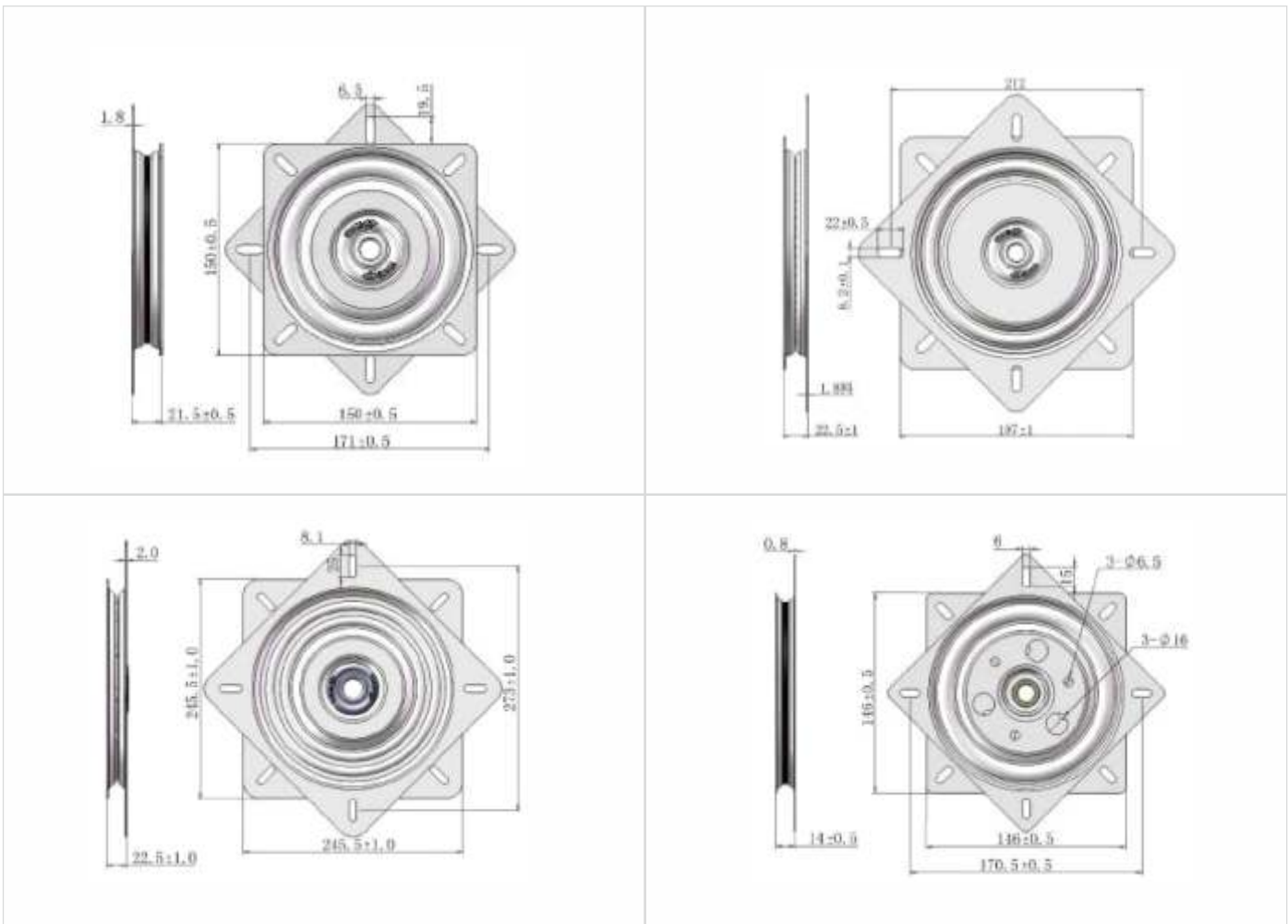
Turn Table Mechanism*



Technical Specification:

- ▶ Suitable for turning table or swivel unit
- ▶ 360° rotating ball bearing system for long lasting smooth rotation
- ▶ Available in three sizes for different loads
- ▶ Finish: Black

Product Dimension:



t= thickness of plate

Description	Size (mm)	Load Capacity (Kg)	Ball Dia	No of balls	Unit	Article No.	PU
Turn Table Mechanism*	150 x 150 x 21.5, 1.8 (t)	50-75	Ø8	46	Pc	-	-
	197 x 197 x 22.5, 1.8 (t)	80-100	Ø8	58	Pc	-	-
	245.5 x 245.5 x 22.5, 2 (t)	150-250	Ø8	62	Pc	-	-
	146 x 146 x 14, 0.8 (t)	30-50	Ø8	46	Pc	-	-

*Available soon



Aluminium profiles are primarily used for increasing the aesthetic value of furniture.

Shutter profiles are beautifully finished aluminium sections available with & without handle option along with various finishes used to manufacture doors with glass or any chosen material. It offers various design opportunities to design wardrobe doors & kitchen shutters.

Aluminium Profiles

Silver Anodized Aluminium Profiles for Furniture Fronts



Product	Product Section	Glass Thickness	Width	Length	Finish	Article No.	Unit	PU
19 mm / 45 mm Aluminium Profiles								
19 mm Straight Frame Profile		4 mm	19 mm	3000 mm	SA	5211089	Pc	4
					SS	521110808	Pc	4
					BL	521110809	Pc	4
					DC	521110810	Pc	4
19 mm Straight Frame Profile with handle		4 mm	19 mm	3000 mm	SA	5211090	Pc	4
					SS	521110811	Pc	4
					BL	521110812	Pc	4
					DC	521110813	Pc	4
45 mm (Econ) Straight Frame Profile for small shutters		4 mm	45 mm	3000 mm	SA	5211117	Pc	4
					SS	521110814	Pc	4
					BL	521110815	Pc	4
					DC	521110816	Pc	4
45 mm (Econ) Straight Frame Profile with L Handle for small shutters		4 mm	45 mm	3000 mm	SA	5211118	Pc	4
					SS	521110817	Pc	4
					BL	521110818	Pc	4
					DC	521110819	Pc	4
45 mm Straight Frame Profile with F Handle		4 mm	45 mm	3000 mm	SA	5211082	Pc	4
					SS	521110820	Pc	4
					BL	521110821	Pc	4
					DC	521110822	Pc	4
45 mm Straight Stick-On Frame Profile		4 mm	45 mm	3000 mm	SA	5211091	Pc	4
					SS	521110823	Pc	4
					BL	521110824	Pc	4
					DC	521110825	Pc	4
45 mm Straight Stick-On Frame Profile with L handle		4 mm	45 mm	3000 mm	SA	9283487	Pc	4
					SS	9302229	Pc	4
					BL	9302230	Pc	4
45 mm Straight Frameless Stick on Profile		4 mm	45 mm	3000 mm	SA	9306110	Pc	4
					SS	9306161	Pc	4
					BL	9306163	Pc	4
45 mm Straight Frameless Stick on Handle Profile		4 mm	45 mm	3000 mm	SA	9306164	Pc	4
					SS	9306165	Pc	4
					BL	9306167	Pc	4

● SA - Silver finish ● *SS - Stainless steel finish ● *BL - Black finish ● *DC - Dark Champagne finish

*Available on request

Aluminium Profiles

Silver Anodized Aluminium Profiles for Furniture Fronts



Product	Product Section	Glass Thickness	Width	Length	Finish	Article No.	Unit	PU
55 mm Aluminium Profiles								
55 mm Straight Frame Profile		4 mm	55 mm	3000 mm	SA	9288842	Pc	4
					SS	9307853	Pc	4
					BL	9307854	Pc	4
					DC	9310252	Pc	4
55 mm Straight Frame Profile with C Handle		4 mm	55 mm	3000 mm	SA	9288844	Pc	4
					SS	9307856	Pc	4
					BL	9307857	Pc	4
					DC	9310253	Pc	4
55 mm Curved Frame Profile		4 / 5 mm	55 mm	3000 mm	SA	9288848	Pc	4
55 mm Curved Frame Profile with Handle		4 / 5 mm	55 mm	3000 mm	SA	9113913	Pc	4
55 mm Straight Frame Profile		8 mm	55 mm	3000 mm	SA	9283491	Pc	4
55 mm Straight Frame Profile with F Handle		8 mm	55 mm	3000 mm	SA	9283495	Pc	4
Angle Connector Set (For all aluminum profiles) 1 Set Consists of 4 connectors & 8 screws		-	-	-	-	9303247	Set	30

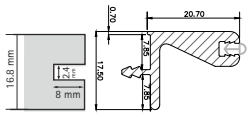
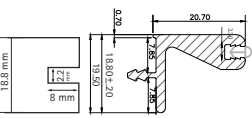
Product	Product Section	Suitable for	Width	Length	Finish	Article No.	Unit	PU
Edge Profile								
Edge Profile (22 mm)		19 mm board thickness	-	3000 mm	SA	5211094	Pc	8
					SS	521110826	Pc	8
					BL	521110827	Pc	8
					DC	521110828	Pc	8
Edge Profile (25 mm)		22 mm board thickness	-	3000 mm	SA	5211095	Pc	8
					SS	521110829	Pc	8
					BL	521110830	Pc	8
					DC	521110831	Pc	8

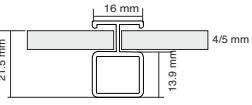
• SA - Silver finish • *SS - Stainless steel finish • *BL - Black finish • *DC - Dark Champagne finish *Available on request

Aluminium Profiles



Silver Anodized Aluminium Profiles for Furniture Fronts

hepo

Product	Product Section	Suitable for	Width	Length	Finish	Article No.	Unit	PU
Edge Profile								
Edge Profile for Wall cabinet		16.8 mm onwards	-	3000 mm	SA	5211106	Pc	12
					SS*	521110832	Pc	12
					BL*	521110833	Pc	12
					DC*	521110834	Pc	12
Edge Profile for Wall cabinet		18.8 mm board	-	3000 mm	SA	5211113	Pc	12
					SS*	521110835	Pc	12
					BL*	521110836	Pc	12
					DC*	521110837	Pc	12

Mid Way Joining Profile								
Mid Way Joining profile		4/5 mm glass thickness	16 mm	3000 mm	SA	5211093	Pc	8
					SS*	521110838	Pc	8
					BL*	521110839	Pc	8
					DC*	521110840	Pc	8
Connector Set for Mid Way Joining Profile					9308603	Pc	10	




Product	Product Section	Length	Finish	Article No.	Unit	PU
Gola Profile & Vertical Gola Profile						
Gola profile C Type		3000 mm	SA	5211104	Pc	10
			SS*	521110841	Pc	10
			BL*	521110842	Pc	10
			DC*	521110843	Pc	10
Gola profile L Type		3000 mm	SA	5211105	Pc	10
			SS*	521110844	Pc	10
			BL*	521110845	Pc	10
			DC*	521110846	Pc	10

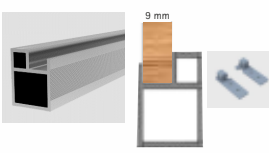
Item Description	Product	Compatible with	Side	Article No.	Unit	PU
Gola Profile Accessories						
Gola Profile End Cap for C Type with screws		SA	Left	9212563	Pc	20
			Right	9212564	Pc	20
		SS*	Left	521110847	Pc	20
			Right	521110848	Pc	20
		BL*	Left	521110849	Pc	20
			Right	521110850	Pc	20
		DC*	Left	521110851	Pc	20
			Right	521110852	Pc	20
Gola Profile End Cap for L Type with screws		SA	Left	9212565	Pc	20
			Right	9212566	Pc	20
		SS*	Left	521110853	Pc	20
			Right	521110854	Pc	20
		BL*	Left	521110855	Pc	20
			Right	521110856	Pc	20
		DC*	Left	521110857	Pc	20
			Right	521110858	Pc	20

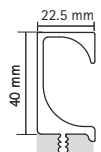
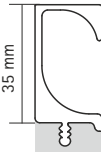
Aluminium Profiles

Silver Anodized Aluminium Profiles for Furniture Fronts

hepo

Item Description	Product	Compatible with	Article No.	Unit	PU
Gola Profile Accessories					
Gola Outer Angle Profile Connector with screws		SA	9212567	Pc	20
		SS	521110859	Pc	20
		BL	521110860	Pc	20
		DC	521110861	Pc	20
Gola Inner Angle Profile Connector with screws		SA	9212568	Pc	20
		SS	521110862	Pc	20
		BL	521110863	Pc	20
		DC	521110864	Pc	20
Gola L Connector set with screws			9220600	Pc	20

Product	Product Section	Length (mm)	Finish	Article No.	Unit	PU
Sink Counter Profile with Connectors						
Sink counter profile		3000 mm	SA	5211109	Pc	6
Bracket for sink counter profile left		-	-	9293678	Pc	50
Bracket for sink counter profile right		-	-	9293699	Pc	50

Product	Product Section	Details	Finish	Article No.	Unit	PU
Handle Profiles						
Handle Eslinga (G Profile)		Profile height 40 mm and Length 3000 mm	SA	5211096	Pc	4
			SS	521110865	Pc	4
			BL	521110866	Pc	4
			DC	521110867	Pc	4
Eslinga Econ (G Profile)		Profile height 35 mm and Length 3000 mm	SA	5211097	Pc	12
			SS	521110868	Pc	12
			BL	521110869	Pc	12
			DC	521110870	Pc	12

















● SA - Silver finish ● *SS - Stainless steel finish ● *BL - Black finish ● *DC - Dark Champagne finish *Available on request



Ergonomically comfortable and specially designed handles are available in attractive designs for furniture drawers & doors. Available in various sizes, shapes, materials and colours to cater all kinds of requirements.

Handles



Sr. No.	Description	Finish	Article No.	Hole Distance	Unit	PU
1.		Nickel Matt	1180122	96	Pc	200
			1180121	128	Pc	150
2.		Nickel Matt	1180167	96	Pc	200
			1180166	128	Pc	125
3.		Nickel Matt	1161173	96	Pc	60
			1161167	128	Pc	50
4.		Nickel Matt	9220976	96	Pc	50
			9220978	128	Pc	50
5.		Bright Chrome	9220975	96	Pc	50
			9220977	128	Pc	50
6.		Nickel Matt	9220980	96	Pc	50
			9220982	128	Pc	50
7.		Bright Chrome	9220979	96	Pc	50
			9220981	128	Pc	50
8.		Matt Black	9297998	128	Pc	1
9.		Brushed Nickel	9300407	96	Pc	1
			9300394	256	Pc	1
10.		Brushed Nickel	9300395	96	Pc	1
11.		Brushed Nickel	9300396	128	Pc	1
			9300397	160	Pc	1
			9300398	192	Pc	1
			9300399	234	Pc	1
12.		Brushed Nickel	9300400	128	Pc	1
			9300411	160	Pc	1
			9300412	256	Pc	1
13.		Nickel Matt	9300408	64	Pc	1
			9300409	96	Pc	1
14.		Brushed Silver Anodized	9310024	224	Pc	72

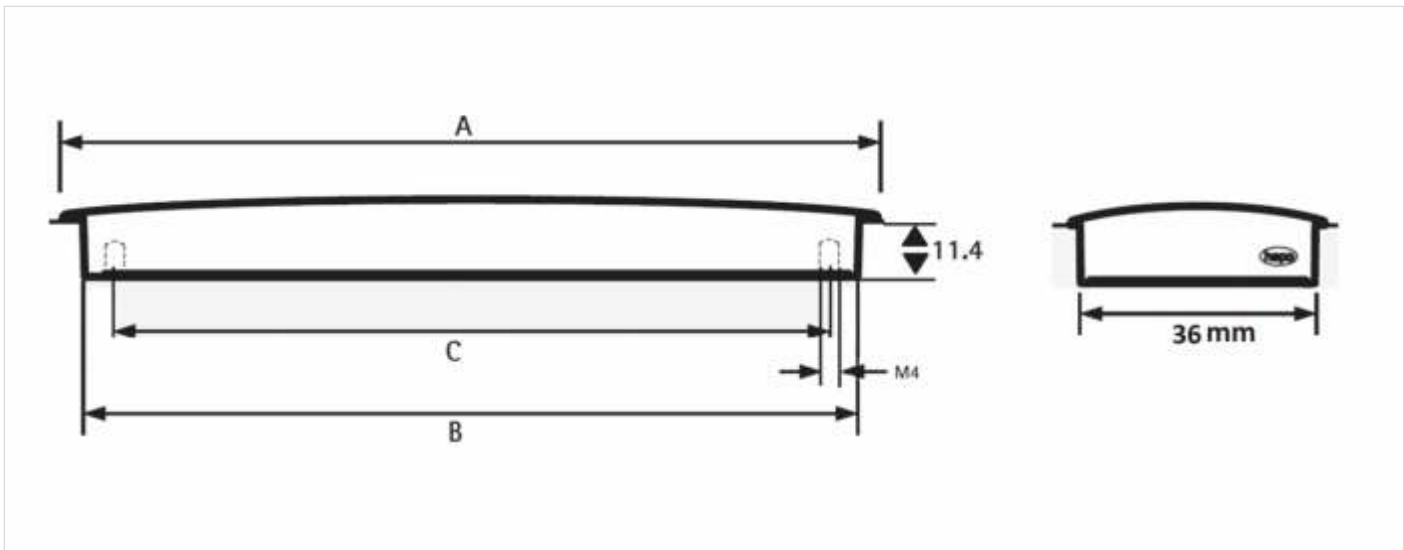
Alpha Handle



Technical Specification:

- ▶ Recessed Handle for wooden shutters
- ▶ Handle Length: 110/ 142/ 174 mm
- ▶ Material Used: Anodized Aluminum
- ▶ Finish: Silver

Cut out details



Description	Total Length Including End Caps (A)	Clear Base (B)	Hole to Hole Distance (C)	Profile Length	Unit	Article No.	PU
Alpha Handle 96mm incl. end caps	110 mm	102 mm	96 mm	90 mm	Pc	5211053	100
Alpha Handle 128mm incl. end caps	142 mm	134 mm	128 mm	122 mm	Pc	5211054	80
Alpha Handle 160mm incl. end caps	174 mm	166 mm	160 mm	154 mm	Pc	5211055	65



Small hardware that opens up numerous design options for classic as well as lightweight material used to construct modular furniture. It fulfils requirement of frequent assembly & dismantling of furniture.

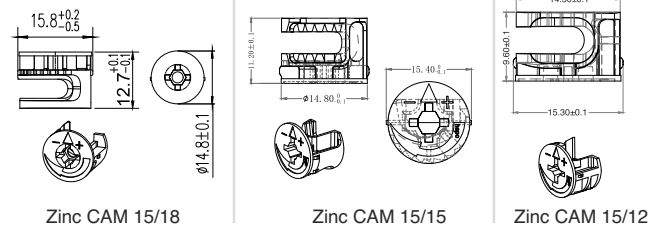
Connecting Fittings

Cam, Steel Dowel & Socket



Cam

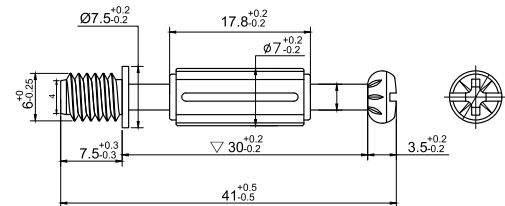
- ▶ Drilling diameter 15 mm
- ▶ Drilling depth: 13 mm for Zinc CAM 15/18
11.2 mm for Zinc CAM 15/15
9.6 mm for Zinc CAM 15/12
- ▶ Available for 12/15/18 mm panel thickness
- ▶ Surface material: Nickel Plating



Description	Unit	Article No.	PU
Zinc Cam 15/18 - Zinc CAM for 18 mm panel	Pc	9290887	3000
Zinc Cam 15/15 - Zinc CAM for 15 mm panel	Pc	9299651	3000
Zinc Cam 15/12 - Zinc CAM for 12 mm panel	Pc	9308957	3000

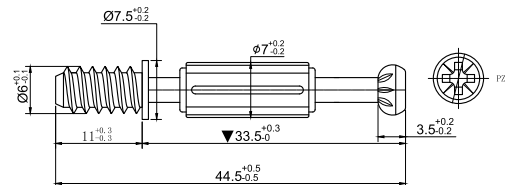
Steel Dowel

- ▶ M6*7.5 mm thread
- ▶ Dowel Length: 30 mm
- ▶ Available with unmovable grey plastic part



Description	Unit	Article No.	PU
M6*34 Dowel, 3 in one, PZ2, Galvanizing	Pc	9289656	3000

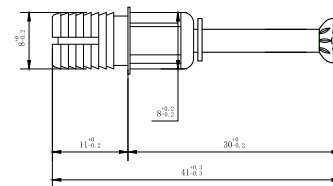
- ▶ Steel dowel with direct fixing thread for drilling diameter of 6 mm
- ▶ Dowel length: 30 mm



Description	Unit	Article No.	PU
Steel Dowel Euro Thread, 30 mm	Pc	9299653	3000

Fast Assembly Dowel

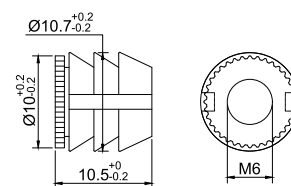
- ▶ Available with expanding socket with 8 mm drilling diameter
- ▶ Dowel length: 30 mm



Description	Unit	Article No.	PU
Fast Assembly Steel Dowel, 30 mm	Pc	9299654	3000

Socket

- ▶ Inner thread: M6
- ▶ Drilling diameter 10 mm
- ▶ Drilling depth: 11.5 mm
- ▶ Available for 15/18 mm panel thickness
- ▶ Finish: White



Description	Unit	Article No.	PU
Nylon Socket, Ø10.8x11, Inner M6 hole	Pc	9304875/9289732	3000

Connecting Fittings

Wooden Dowel, L-Bracket

Wooden Dowel



Wooden Dowel 8x50mm



Wooden Dowel 8x30mm



Wooden Dowel 8x40mm



Wooden Dowel 6x35mm

Description	Unit	Article No.	PU
Wooden Dowel 6.0x35mm	Pc	9290708	2000
Wooden Dowel 8.0x30mm	Pc	9290706	2000
Wooden Dowel 8.0x40mm	Pc	9102465	2000
Wooden Dowel 8.0x50mm	Pc	9290707	2000

L-Bracket

S.No.	Description		Unit	Article No.	PU
1	L-Bracket 31x31 mm		Pc	9302837	1000
2	L-Bracket 41x41 mm		Pc	9302840	100

Connecting Fittings

D- Nut (Steel), Hex Metal Socket
T-Nut & Barrel Nut

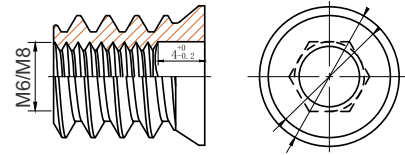


D-Nut (Steel)



Technical Specification:

- ▶ Material used: Steel
- ▶ Available in HEX drive
- ▶ Available in Regular/Metric thread
- ▶ Available Finish: Chrome, Blue zinc (ZP, Cr3+)
- ▶ Available in bulk packing
- ▶ Tested for 48 hrs salt Spray against rusting



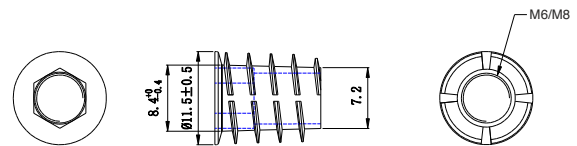
Description	Dimension	Unit	Article No.	PU
D-Nut(Steel) M6x13, ZP Cr3+	M6x13	Pc	9296712	3500
D-Nut(Steel) M6x15, ZP Cr3+	M6x15	Pc	9296713	3000
D-Nut(Steel) M6x18, ZP Cr3+	M6x18	Pc	9296714	2500
D-Nut(Steel) M6x20, ZP Cr3+	M6x20	Pc	9296715	2500
D-Nut(Steel) M6x25, ZP Cr3+	M6x25	Pc	9296716	2000
D-Nut(Steel) M8x13, ZP Cr3+	M8x13	Pc	9296717	3000
D-Nut(Steel) M8x15, ZP Cr3+	M8x15	Pc	9296718	2500
D-Nut(Steel) M8x18, ZP Cr3+	M8x18	Pc	9296719	2000
D-Nut(Steel) M8x20, ZP Cr3+	M8x20	Pc	9296720	2000
D-Nut(Steel) M8x25, ZP Cr3+	M8x25	Pc	9296721	1500

Hex Metal Socket



Technical Specification:

- ▶ Material used: Zinc Alloy
- ▶ Drive: Hex Socket
- ▶ Finish: Zinc



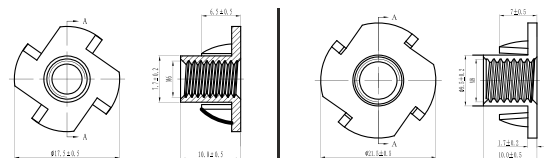
Description	Unit	Article No.	PU
Hex Metal socket M6x13 ZP	Pc	9290695	1000
Hex Metal socket M6x15 ZP	Pc	9290696	6000
Hex Metal socket M6x20 ZP	Pc	9290698	1000
Hex Metal socket M8x18 ZP	Pc	9290702	3500

T-Nut



Technical Specification:

- ▶ Thread: Metric
- ▶ Material: Steel
- ▶ Finish: Zinc chrome plated



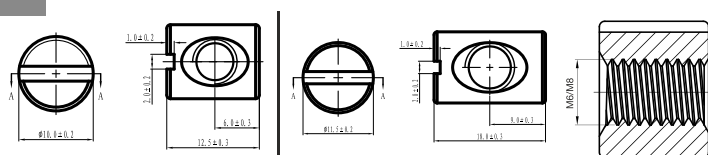
Description	Unit	Article No.	PU
T-Nut M6X10	Pc	9312049	500
T-Nut M8X10	Pc	9312111	500

Barrel Nut



Technical Specification:

- ▶ Thread: Metric
- ▶ Material: Steel
- ▶ Finish: Zinc chrome plated



Description	Unit	Article No.	PU
Barrel Nut M6* φ10*13	Pc	9312112	500
Barrel Nut M8* φ12*18	Pc	9312113	500

Connecting Fittings

Leveller Screws



Leveller Screws



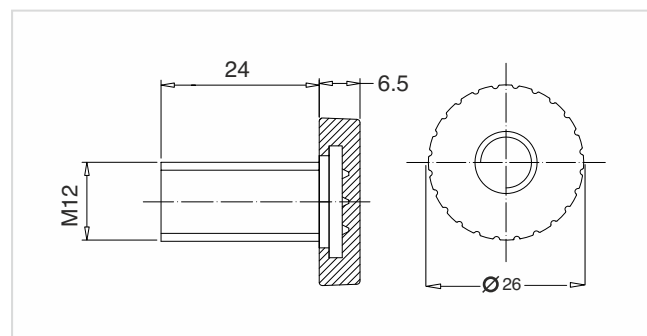
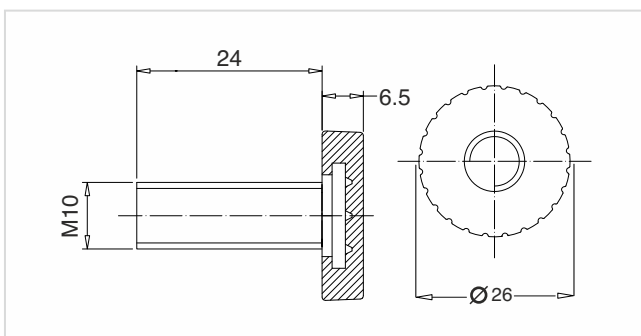
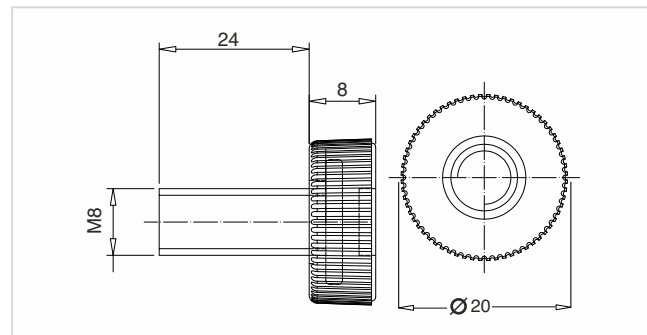
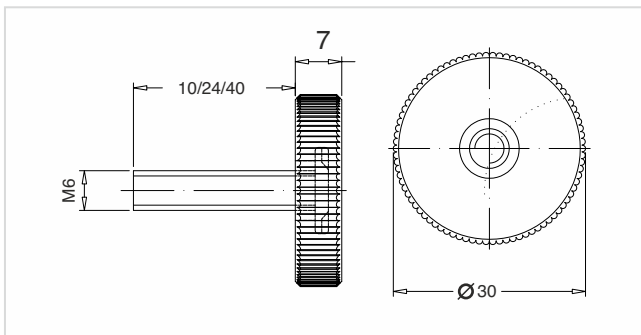
Technical Specification:

- ▶ Used for height adjustment of cabinets
- ▶ Material used: Zinc plated Aluminium, High quality plastic
- ▶ Finish: Zinc chrome plated, Black plastic

Product Dimension

Rod Dia. (mm)	Rod Length (mm)	Base Dia. (mm)	Base Height (mm)
M6	10/ 24/ 40	30	7
M8	24	20	8
M10	24	26	6.5
M12	24	26	6.5

Dimensional Diagram



Product description	Weight capacity	Height adjustment range (mm)	Unit	Article No.	PU
Leveller screw M6 x 10 mm	60 Kg	9	Pc	9138921	1000
Leveller screw M6 x 24 mm	60 Kg	23	Pc	9138922	1000
Leveller screw M6 x 40 mm	60 Kg	39	Pc	9138923	1000
Leveller screw M8 x 24 mm	70 Kg	22	Pc	9138924	1000
Leveller screw M10 x 24 mm	80 Kg	20	Pc	9138925	500
Leveller screw M12 x 24 mm	90 Kg	20	Pc	9138926	500

Connecting Fittings

JCBC Bolt & Allen Bolt/ Socket Head Bolt

HEX Bolt

hepo

Hepo Bolts



Technical Specification:

- ▶ Head for JCBC Bolt: Flat Head
- ▶ Head for Allen Bolt/ Socket Head Bolt: Round Knurled head
- ▶ Head for HEX Bolt: Hexagonal Head
- ▶ Drive for JCBC & Allen Bolt/ Socket Head Bolt: HEX drive
- ▶ Thread: Full thread (Metric)
- ▶ Head Dia for JCBC Bolt- 12.5 mm for M6 / 15.5 mm for M8
- ▶ Head Dia for Allen Bolt/ Socket Head Bolt: - 10 mm for M6 / 13 mm for M8
- ▶ Size of Hex drive in JCBC Bolt: 4 mm for M6 / 5 mm for M8
- ▶ Size of Hex drive in Allen Bolt/ Socket Head Bolt: 5 mm for M6 / 6 mm for M8
- ▶ Material used: Steel
- ▶ Finish: Black Oxide finish

Note: 24 hrs salt spray tested Zinc finish bolts available on request.

Sr. No.	Size DxL (mm)	JCBC Bolt		Allen Bolt/ Socket Head Bolt		HEX Bolt	
		Article No.	PU	Article No.	PU	Article No.	PU
1	M6x10	9309958	4000	-	-	-	-
2	M6x15	9309961	3000	-	-	-	-
3	M6x20	9309962	2500	9309985	2500	-	-
4	M6x25	9309963	2000	-	-	-	-
5	M6x30	9309964	2000	-	-	-	-
6	M6x35	9309965	1500	-	-	-	-
7	M6x40	9309966	1500	-	-	-	-
8	M6x45	9309967	1500	-	-	-	-
9	M6x50	9309968	1000	-	-	-	-
10	M6x55	9312758	1000	-	-	-	-
11	M6x60	9309969	1000	-	-	-	-
12	M6x65	9312759	500	-	-	-	-
13	M6x70	9309970	1000	-	-	-	-
14	M8x15	9309981	1500	9309986	1000	-	-
15	M8x20	9309982	1500	-	-	9309991	1000
16	M8x25	9309983	1000	-	-	9309992	1000
17	M8x30	9309984	1000	-	-	9309993	1000
18	M8x35	-	-	-	-	9309994	1000
19	M8x40	9312760	500	9309987	500	9309995	500
20	M8x50	9312761	500	9309988	500	9309996	500
21	M8x60	-	-	9309989	500	9309997	500
22	M8x70	9312762	250	-	-	-	-
23	M8x75	-	-	9309990	500	9309998	500



Hepo Door Hardware range consists of Door Closer and Butt Hinges, which facilitates seamless controlled movement of the door. These products can be used for wooden, steel & aluminium framed doors. The products have been tested for long-lasting performance and carry a warranty.



Stainless Steel Welded Type (Railway Hinges)



Technical Specification:

- ▶ Recommended for wooden / aluminium / framed doors of apartment / building
- ▶ Weight capacity: 40 Kg/Pair
- ▶ Leaf Thickness - 2.5 mm
- ▶ Available with Square Edge
- ▶ Pin Dia - 4 & 5.6 mm
- ▶ For DIN Left/Right Usage
- ▶ Available Sizes - 3x12 / 4x12 / 5x12
- ▶ Finish - SS Satin
- ▶ No. of Holes - 6/8

S.No.	Description Size mm (inch)	Unit	Article No.	PU
1	Butt Hinge SS (3" X 1.9" X 1.9mm) (3X14)	Pair	9278616	01
2	Butt Hinge SS (4" X 2.3" X 1.9mm) (4X14)	Pair	9278617	01
3	Butt Hinge SS (5" X 2.5" X 1.9mm) (5X14)	Pair	9278618	01
4	Butt Hinge SS 75x50x2.5 mm (3"x2"x2.5 mm) (3x12)	Pair	9278619	20
5	Butt Hinge SS 100x60x2.5 mm (4"x2.3"x2.5 mm) (4x12)	Pair	9278620	12
6	Butt Hinge SS 125x67x2.5 mm (5"x2.6"x2.5 mm) (5x12)	Pair	9278621	10

Stainless Steel Riveted Type



Features:

- ▶ Loading Capacity up to 40 kg / pair
- ▶ DIN Left / Right Usable
- ▶ Mostly preferred for Steel / wood & Aluminum profile doors
- ▶ Area of application: Light Main and Internal doors
- ▶ Warranty : 2 years

Technical details:

- ▶ Ø Barrel diameter: 12 mm
- ▶ Leaf thickness: 2.5 mm
- ▶ Milling for doors: 2 / 2.5 mm
- ▶ Available Sizes: 3"x2"x2 mm / 4"x3"x2.5 mm / 5"x3"x2.5 mm
- ▶ Base Material: Stainless Steel
- ▶ Edge: Square
- ▶ Finish Available: Stainless Steel Satin

S.No.	Description Size mm (inch)	Unit	Article No.	PU
1	SS 76x50x2 mm (3"x2"x2 mm) (Hole Pattern: C)	Pair	9268550	01
2	SS 102x76x2.5 mm (4"x3"x2.5 mm) (Hole Pattern: Z)	Pair	9268395	01
3	SS 127x76x2.5 mm (5"x3"x2.5 mm) (Hole Pattern: Z)	Pair	9268396	01

Recommended Stainless Steel Screws:



S.No.	Description Size mm (inch)	Unit	Article No.	PU
1	SS screw CSK PZ2 5.0X30mm	Pc	9277146	500
2	SS screw CSK PZ2 5.0X40mm	Pc	9277147	400

Door Closer



Technical Specification:

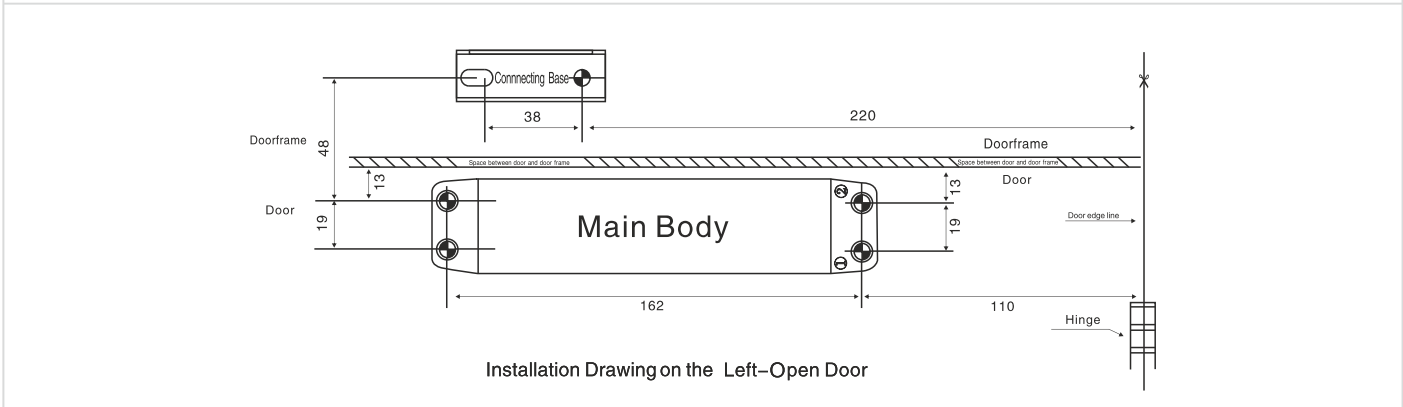
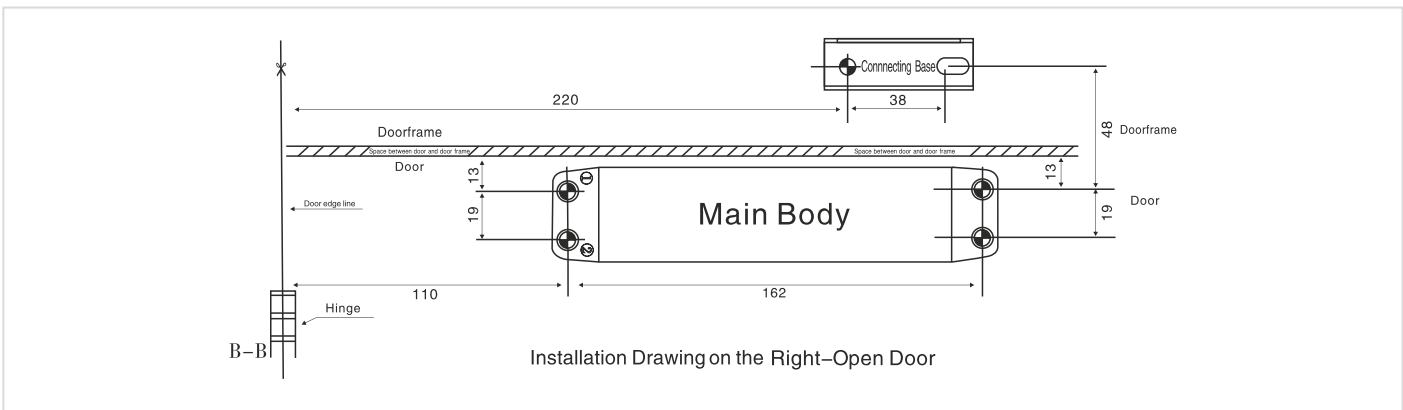
- ▶ Weight of Door: 45-65 Kg
- ▶ Width of door: 600-1000 mm
- ▶ Closing Speed: 120°-15°
- ▶ Latching Speed: 15°-0°
- ▶ Door Material: Steel, Wooden, Profile Framed
- ▶ Material: Aluminum Alloy
- ▶ Finish: Electrostatic paint

Quality Assurance:

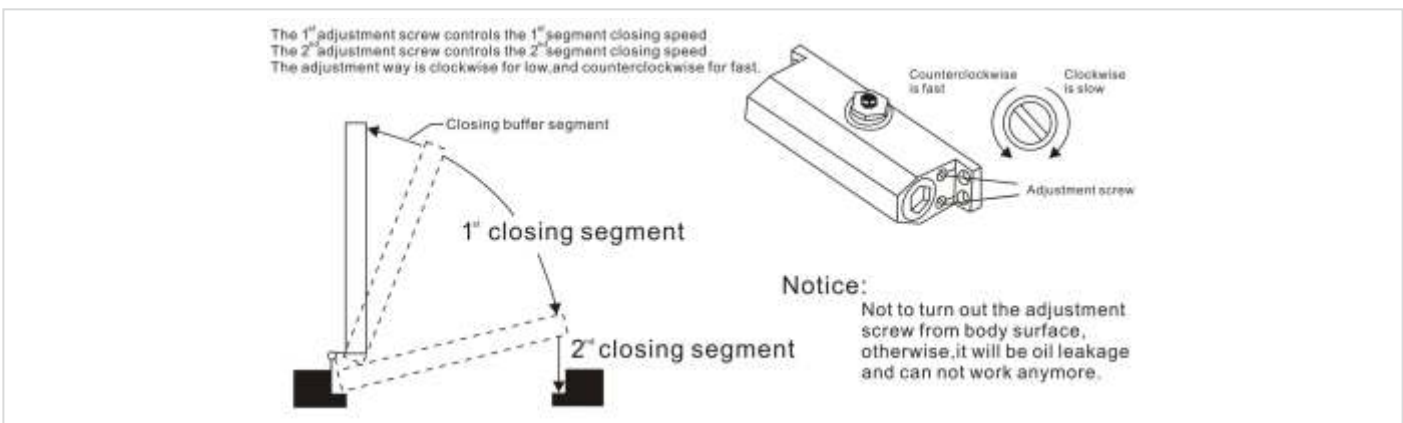
- ▶ 200,000 functional Cycle tested

S.No.	Description	Unit	Article No.	PU
1	Hepo Door Closer EN2 45 Kg	Set	9322688	1

Installation Diagram









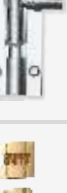
Closing Speed Adjustment

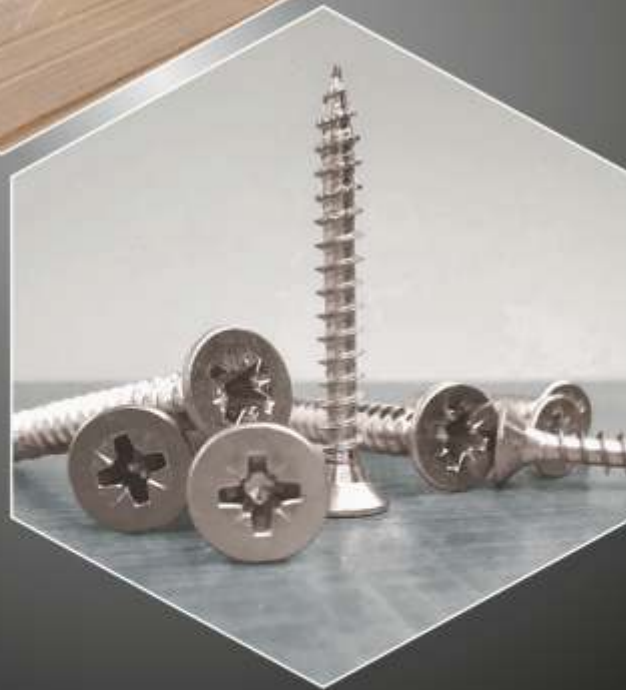


Tower Bolts

Aluminium & Brass Tower Bolts for Doors & Windows



Sr. No.		Description	Material	Finish	Rod dia. (in mm)	Article No.	Size (in mm)	Unit	PU
1		Towerbolt ALU-D18	Aluminium	Stainless Steel	9.5	9291322	100	Pc	12
2		Towerbolt ALU-D18	Aluminium	Stainless Steel	9.5	9291323	150	Pc	12
3		Towerbolt ALU-D18	Aluminium	Stainless Steel	9.5	9291324	200	Pc	12
4		Towerbolt ALU-D18	Aluminium	Stainless Steel	9.5	9291325	250	Pc	12
5		Towerbolt ALU-D18	Aluminium	Stainless Steel	9.5	9291326	300	Pc	12
1		Towerbolt ALU-D18	Aluminium	Antique Brass	9.5	9291327	100	Pc	12
2		Towerbolt ALU-D18	Aluminium	Antique Brass	9.5	9291328	150	Pc	12
3		Towerbolt ALU-D18	Aluminium	Antique Brass	9.5	9291329	200	Pc	12
4		Towerbolt ALU-D18	Aluminium	Antique Brass	9.5	9291330	250	Pc	12
5		Towerbolt ALU-D18	Aluminium	Antique Brass	9.5	9291331	300	Pc	12
1		Towerbolt ALU-D25	Aluminium	Stainless Steel	9.5	9291332	100	Pc	12
2		Towerbolt ALU-D25	Aluminium	Stainless Steel	9.5	9291333	150	Pc	12
3		Towerbolt ALU-D25	Aluminium	Stainless Steel	9.5	9291334	200	Pc	12
4		Towerbolt ALU-D25	Aluminium	Stainless Steel	9.5	9291335	250	Pc	12
5		Towerbolt ALU-D25	Aluminium	Stainless Steel	9.5	9291336	300	Pc	12
1		Towerbolt ALU-D25	Aluminium	Antique Brass	9.5	9291337	100	Pc	12
2		Towerbolt ALU-D25	Aluminium	Antique Brass	9.5	9291338	150	Pc	12
3		Towerbolt ALU-D25	Aluminium	Antique Brass	9.5	9291339	200	Pc	12
4		Towerbolt ALU-D25	Aluminium	Antique Brass	9.5	9291340	250	Pc	12
5		Towerbolt ALU-D25	Aluminium	Antique Brass	9.5	9291341	300	Pc	12
1		Towerbolt ALU-ISI-10	Aluminium	Aluminium Anodized	10	9291362	100	Pc	12
2		Towerbolt ALU-ISI-10	Aluminium	Aluminium Anodized	10	9291364	150	Pc	12
3		Towerbolt ALU-ISI-10	Aluminium	Aluminium Anodized	10	9291365	200	Pc	12
4		Towerbolt ALU-ISI-10	Aluminium	Aluminium Anodized	10	9291366	250	Pc	12
5		Towerbolt ALU-ISI-10	Aluminium	Aluminium Anodized	10	9291367	300	Pc	12
1		Towerbolt ALU-ISI-10	Aluminium	Anodized Stainless Steel	10	9291368	100	Pc	12
2		Towerbolt ALU-ISI-10	Aluminium	Anodized Stainless Steel	10	9291369	150	Pc	12
3		Towerbolt ALU-ISI-10	Aluminium	Anodized Stainless Steel	10	9291370	200	Pc	12
4		Towerbolt ALU-ISI-10	Aluminium	Anodized Stainless Steel	10	9291371	250	Pc	12
5		Towerbolt ALU-ISI-10	Aluminium	Anodized Stainless Steel	10	9291372	300	Pc	12
1		Towerbolt BRS-D25	Brass	Polished Brass	9	9291342	100	Pc	12
2		Towerbolt BRS-D25	Brass	Polished Brass	9	9291343	150	Pc	12
3		Towerbolt BRS-D25	Brass	Polished Brass	9	9291344	200	Pc	12
4		Towerbolt BRS-D25	Brass	Polished Brass	9	9291345	250	Pc	12
5		Towerbolt BRS-D25	Brass	Polished Brass	9	9291346	300	Pc	12



Hepo offers a wide range of safe and secure screws ideally suitable for all type of wood, plastic, masonry and sheet metal. The portfolio includes a complete range of woodworking and building & construction screws i.e. chipboard screws, drywall screws (black phosphate), self-drilling screws, truss head screws, handle fixing screws and roofing screws. Hepo Screws are made from hardened steel and are available in Stainless Steel & Carbon Steel material with Zinc & Black finishes.



Hepo screws are differentiated from the other available screws in the market on the following parameters:

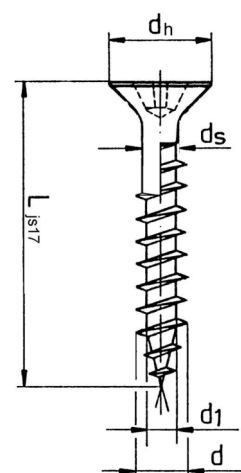
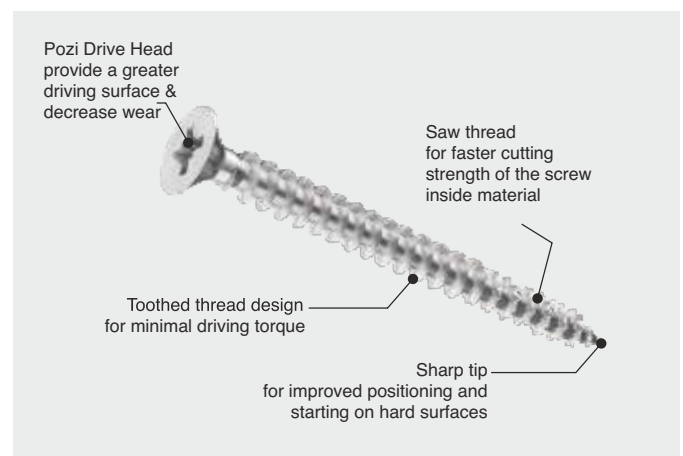
Saw Thread - Gives better and faster cutting strength for the screw inside the material. Thus, a carpenter has to use less force and effort during drilling.

Pozi Drive - It has eight times better grip than a slotted head and two times better than Philips head, allowing greater torque.

Sharp Tip - Optimized tip geometry for better positioning and stacking of the screw, even on hard surface

High Thread Pitch - Gives faster drive and better contact with the substrate thereby reducing the time of installation.

Available Screws - Zinc Coated, Stainless Steel, Blackodized Screws & Accessories

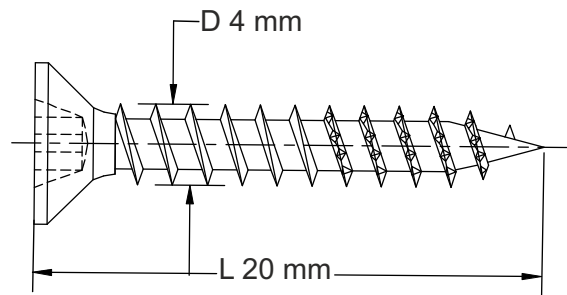


d : Thread diameter
 d_1 : Core diameter
 d_s : Shank diameter
 L : Screw length
 d_h : Head diameter

Naming Convention for Chipboard Screws

Consider 4 x 20

4 is the diameter of the thread in 'mm'(Including the thread)
20 is the length of the screw in 'mm'



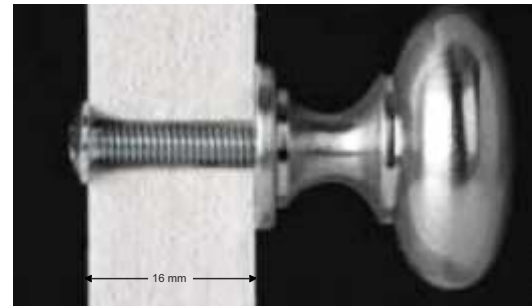
Naming Convention for Machine Screws

Consider M4x26

4 is the diameter in 'mm'
26 is the length of the screw in 'mm'

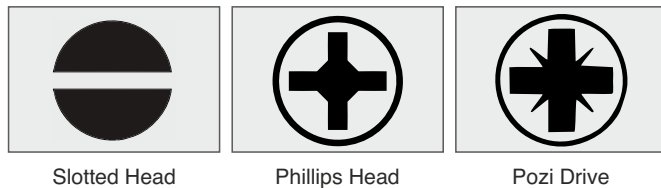
Specifying the Screw:

Panel thickness + 6 mm to pierce into the handle
e.g: For a 16 mm Panel, 22 mm screw length can be suggested to fix a handle, knob etc

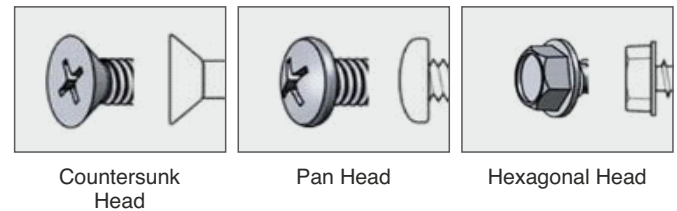


Screws : Nomenclature

As per Screw Heads



As per Screw Head Shape



Conversion Chart- Imperial System to Metric System

Diameter		Length	
Gauge No.	mm	Inch	mm
2	2	1/4	6
3	2.5	3/8	10
4	3	1/2	12
5	3	5/8	16
6	3.5	3/4	20
7	4	1	25
8	4	1 1/4	30
9	4.5	1 1/2	40
10	5	1 3/4	45
12	5.5	2	50
12	6	2 1/4	55
14	8	2 1/2	60
		2 3/4	70
		3	75
		3 1/2	90
		4	100
		4 1/2	110
		5	130
		6	150

Note: There is tradition of citing screw diameter in gauge & screw length in inches

Stainless Steel Screws

CSK Saw Thread Magnetic & Non-Magnetic Screw
 CSK Regular Thread Non-magnetic Screw



CSK Saw Thread Non-Magnetic Philips Drive Screw



Material : Stainless Steel
 Finish : Stainless Steel
 Head : Countersunk
 Drive : Philips
 Thread : Saw
 Packing : Retail

S.No.	Dimension	Size
1	Ø3.5x12	12/6
2	Ø3.5x16	16/6
3	Ø3.5x20	20/6
4	Ø3.5x25	25/6
5	Ø3.5x30	30/6
6	Ø3.5x35	35/6
7	Ø4.0x16	16/8
8	Ø4.0x20	20/8
9	Ø4.0x25	25/8
10	Ø4.0x30	30/8
11	Ø4.0x35	35/8
12	Ø4.0x40	40/8
13	Ø4.0x50	50/8
14	Ø5.0x30	-
15	Ø5.0x40	-
16	Ø5.0x50	50/10
17	Ø5.0x60	60/10
18	Ø5.0x70	70/10
19	Ø5.0x80	80/10
20	Ø5.0x100	100/10
21	Ø6.0x120	100/12
22	Ø6.0x140	140/12

Article No.	PU
928814100	1000
928814200	1000
928814300	1000
928814400	1000
928814500	1000
928814600	1000
928814700	1000
928814800	1000
928814900	1000
928815000	1000
928815100	500
928815200	500
929129500	500
-	-
-	-
928815300	500
928815400	200
928815500	200
929129600	200
929129700	100
929129800	100
929129900	100

CSK Saw Thread Magnetic Pozi Drive Screw



Material : Stainless Steel
 Finish : Stainless Steel
 Head : Countersunk
 Drive : Pozi
 Thread : Saw
 Packing : Retail

Article No.	PU
916238200	1000
915445200	1000
916238300	1000
916238400	1000
916238500	1000
916238600	1000
916238800	1000
915445300	1000
915445400	1000
915445500	1000
915445600	500
916238900	500
-	-
927714600	1000
927714700	1000
915445900	200
916939400	200
915446101	200
-	-
-	-
-	-
-	-

CSK Head Regular Thread Philips Drive Non-magnetic screw



Material : Stainless Steel
 Finish : Zinc Coated
 Head : Countersunk
 Drive : Philips
 Thread : Regular
 Packing : Retail

S.No.	Dimension	Size
1	Ø3.5 x 16	16/6
2	Ø3.5 x 19	19/6
3	Ø3.5 x 25	25/6
4	Ø4.2 x 32	32/8

Article No.	PU
931859600	1000
931859700	1000
931859800	1000
931859900	1000

Chipboard Screws

CSK Saw Thread & Regular Thread Screw



Zinc CSK Saw Thread Philips Drive Screw



Material : Carbon Steel
 Finish : Zinc Coated
 Head : Countersunk
 Drive : Philips
 Thread : Saw
 Packing : Retail

S.No.	Dimension	Size
1	Ø3 x 10	10/5
2	Ø3.0x12	12/5
3	Ø3.0x16	16/5
4	Ø3.5x12	12/6
5	Ø3.5x16	16/6
6	Ø3.5x20	20/6
7	Ø3.5x25	25/6
8	Ø3.5x30	30/6
9	Ø3.5x35	35/6
10	Ø3.5x40	40/6
11	Ø4.0x12	12/8
12	Ø4.0x16	16/8
13	Ø4.0x20	20/8
14	Ø4.0x25	25/8
15	Ø4.0x30	30/8
16	Ø4.0x35	35/8
17	Ø4.0x40	40/8
18	Ø4.0x45	45/8
19	Ø4.0x50	50/8
20	Ø5.0x50	50/10
21	Ø5.0x60	60/10
22	Ø5.0x70	70/10
23	Ø5.0x80	80/10
24	Ø5.0x90	90/10
25	Ø5.0x100	100/10

Article No.	PU
-	-
928903800	1000
928908900	1000
928909400	1000
928909500	1000
928909600	1000
928909800	1000
928910000	1000
928910100	900
928910200	800
928910300	1000
928910400	800
928910600	1000
928910700	900
928910800	800
928911000	600
928911200	600
928911400	500
928911600	400
928911700	300
928911800	200
928911900	200
928912000	200
928912100	100
928912200	100

Zinc CSK Saw Thread Pozi Drive Screw



Material : Carbon Steel
 Finish : Zinc Coated
 Head : Countersunk
 Drive : Pozi
 Thread : Saw
 Packing : Retail

Article No.	PU
916936900	1000
916237800	1000
916937000	1000
914809200	1000
913798000	1000
915382000	1000
916237900	1000
916238000	1000
916937100	1000
916238100	500
916937200	1000
913799200	1000
913799100	1000
913799300	1000
914027200	1000
914027400	500
914027500	500
914027600	500
916937300	500
914809300	200
915382100	200
915382200	200
916937600	100
916937800	100
916938000	100

Zinc CSK Regular Thread Philips Drive Screw



Material : Carbon Steel
 Finish : Zinc Coated
 Head : Countersunk
 Drive : Philips
 Thread : Regular
 Packing : Retail

S.No.	Dimension	Size
1	Ø3 x 16	16/5
2	Ø3.5 x 12	12/6
3	Ø3.5 x 16	16/6
4	Ø3.5 x 20	20/6
5	Ø3.5 x 25	25/6
6	Ø3.5 x 30	30/6
7	Ø3.5 x 35	35/6
8	Ø4.0 x 16	16/8
9	Ø4.0 x 20	20/8
10	Ø4.0 x 25	25/8
11	Ø4.0 x 30	30/8
12	Ø4.0 x 35	35/8
13	Ø4.0 x 40	40/8
14	Ø4.0 x 45	45/8
15	Ø4.0 x 50	50/8
16	Ø5.0 x 50	50/10
17	Ø5.0 x 60	60/10
18	Ø5.0 x 70	70/10

Article No.	PU
-	-
541112040	1000
541112050	1000
541112060	1000
541112070	1000
541112080	1000
541112090	1000
541112120	1000
541112130	1000
541112140	1000
541112150	1000
541112160	500
541112170	500
541112180	500
541112190	500
541112230	200
541112240	200
541112250	200

Black CSK Regular Thread Pozi Drive Screw



Material : Steel
 Finish : Blackodised
 Head : Countersunk
 Drive : Pozi
 Thread : Regular
 Packing : Retail

Article No.	PU
541212030	1000
541212040	1000
541212050	1000
541212060	1000
541212070	1000
541212080	1000
541212090	1000
541212120	1000
541212130	1000
541212140	1000
541212150	1000
541212160	500
541212170	500
541212180	500
541212190	500
541212230	200
541212240	200
541212250	200

Chipboard Screws

Pan head Saw Thread & Regular Thread Screw



Zinc Pan Head Saw Thread Philips Drive Screw



Material : Carbon Steel
 Finish : Zinc Coated
 Head : Pan Head
 Drive : Philips
 Thread : Saw
 Packing : Retail

S.No.	Dimension	Size	Article No.	PU
1	Ø3.0 x 12	12/5	-	-
2	Ø3.0 x 16	16/5	-	-
3	Ø3.5 x 12	12/6	928912300	20000
4	Ø3.5 x 16	16/6	928912400	16000
5	Ø3.5 x 20	20/6	-	-
6	Ø4.0 x 16	16/8	928912500	11000
7	Ø4.0 x 20	20/8	928912600	10000
8	Ø4.0 x 25	25/8	-	-
9	Ø4.0 x 30	30/8	-	-
10	Ø4.0 x 35	35/8	-	-
11	Ø4.0 x 40	40/8	-	-
12	Ø4.0 x 45	45/8	-	-
13	Ø4.0 x 50	50/8	-	-
14	Ø4.5 x 16	16/9	-	-
15	Ø4.5 x 20	20/9	-	-
16	Ø5.0 x 50	50/10	-	-
17	Ø6.0 x 35	35/12	-	-
18	Ø6.0 x 50	50/12	-	-

Zinc Pan Head Saw Thread Pozi Drive Screw



Material : Carbon Steel
 Finish : Zinc Coated
 Head : Pan Head
 Drive : Pozi
 Thread : Saw
 Packing : Retail

S.No.	Dimension	Size	Article No.	PU
1	Ø3.0 x 12	12/5	916938100	1000
2	Ø3.0 x 16	16/5	916938200	1000
3	Ø3.5 x 12	12/6	916938300	1000
4	Ø3.5 x 16	16/6	916938400	1000
5	Ø3.5 x 20	20/6	916938500	1000
6	Ø4.0 x 16	16/8	913799900	1000
7	Ø4.0 x 20	20/8	-	-
8	Ø4.0 x 25	25/8	914028200	1000
9	Ø4.0 x 30	30/8	916938600	500
10	Ø4.0 x 35	35/8	916938700	500
11	Ø4.0 x 40	40/8	916938800	500
12	Ø4.0 x 45	45/8	916938900	200
13	Ø4.0 x 50	50/8	916939000	200
14	Ø4.5 x 16	16/9	913800000	500
15	Ø4.5 x 20	20/9	913802100	500
16	Ø5.0 x 50	50/10	916939100	200
17	Ø6.0 x 35	35/12	916939200	200
18	Ø6.0 x 50	50/12	916939300	200

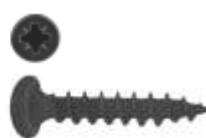
Zinc Pan Head Regular Thread Pozi Drive Screw



Material : Steel
 Finish : Zinc Coated
 Head : Pan Head
 Drive : Pozi Drive
 Thread : Regular
 Packing : Retail

S.No.	Dimension	Size	Article No.	PU
1	Ø3.5 x 12	12/6	-	-
2	Ø3.5 x 16	16/6	541122050	1000
3	Ø4 x 16	16/8	541122120	1000
4	Ø4 x 20	20/8	-	-
5	Ø4 x 25	25/8	541122140	1000
6	Ø4 x 30	30/8	541122150	500

Black Pan Head Regular Thread Pozi Drive Screw



Material : Steel
 Finish : Blackodised
 Head : Pan Head
 Drive : Pozi
 Thread : Regular
 Packing : Retail

S.No.	Dimension	Size	Article No.	PU
1	Ø3.5 x 12	12/6	541222040	1000
2	Ø3.5 x 16	16/6	541222050	1000
3	Ø4 x 16	16/8	541222120	1000
4	Ø4 x 20	20/8	541222130	1000
5	Ø4 x 25	25/8	541222140	1000
6	Ø4 x 30	30/8	541222150	500

Handle Fixing Screw Drywall & Truss Head Screws

hepo

Handle Fixing Screw



Material : Carbon Steel
Finish : Zinc
Head : Pan Head
Drive : Cross recessed
Thread : M4
Packing : Retail

S.No.	Dimension	Size	Article No.	PU
1	M4 x 22	22/8	71549	1000
2	M4 x 24	24/8	71555	1000
3	M4 x 26	26/8	71556	1000
4	M4 x 28	28/8	71557	500
5	M4 x 30	30/8	71558	500
6	M4 x 32	32/8	71559	500
7	M4 x 36	36/8	71561	500
8	M4 x 38	38/8	71562	500
9	M4 x 40	40/8	71563	200
10	M4 x 50	50/8	9184222	200

Drywall Screws



Material : Steel
Finish : Black
Head : Phillips Drive
Drive : Pozi
Thread : Fine Thread
Packing : Retail

S.No.	Dimension	Size	Article No.	PU
1	3.5x20	20/6	926247900	1000
2	3.5x25	25/6	926248000	1000
3	3.5x30	30/6	926251100	1000
4	3.5x35	35/6	926251200	1000
5	3.5x40	40/6	926251300	500
6	3.5x45	45/6	926251400	500
7	3.5x50	50/6	926251500	500

Truss Head screws



Material : Steel
Finish : Black
Head : Truss Head
Drive : Philips
Thread : Regular
Packing : Retail

S.No.	Dimension	Size	Article No.	PU
1	Ø4.0 x 13	13/8	928060300	1000
2	Ø4.0 x 16	16/8	928060400	1000
3	Ø4.0 x 20	20/8	928060500	1000
4	Ø4.0 x 25	25/8	928060600	1000
5	Ø4.0 x 30	30/8	928060700	1000
6	Ø4.0 x 40	40/8	928060800	500
7	Ø4.0 x 50	50/8	928060900	500
8	Ø5.0 x 50	50/10	928061000	500

Drive Bit - 65 mm (Both Side) Pozi Drive



Material : Steel hardened
Finish : Black
Drive : Pozi Drive

S.No.	Description	Suitable for	Article No.	Unit	PU
1	PZD -1 Screwdrive bits H1/4*65mm PZ1	≤ 3 mm dia	925467100	Pc	10
2	PZD - 2 Screwdrive bits H1/4*65mm PZ2	3.5 - 5 mm dia	925467200	Pc	10
3	PZD - 3 Screwdrive bits H1/4*65mm PZ3	≥ 5 mm dia	925467300	Pc	10

Drive Bit - 65mm (Both Side) Phillips Drive



Material : Steel hardened
Finish : Black
Drive : Phillips Drive

S.No.	Description	Suitable for	Article No.	Unit	PU
1	PHD - 2 Screw Drive Bits H1 / 4*65mm PH2	3.5 - 5 mm dia	927324600	Pc	10

Screw Driver



Material : Steel hardened
Drive : Pozi Drive

S.No.	Description	Suitable for	Dimension	Article No.	Unit	PU
1	Screw Driver	3.5 - 5 mm dia	PZ 2	919326000	Pc	1

Order Number Index



Order no.	Page	Order no.	Page	Order no.	Page	Order no.	Page
9284697	5	932765400	11	9303980	17	9320017	26
9284698	5	932765500	11	9303991	17	9320018	26
9284809	5	932765600	11	9303992	17	9320019	26
9284810	5	932765700	11	9303994	17	9320020	26
9284811	5	932765800	11	9280378	18	9315515	28
9284812	5	932765900	11	9280377	18	9304139	28
9284813	5	932766000	11	9280371	18	9304140	28
9284814	5	9322455	13	9280369	18	9282630	28
9290745	6	9322469	13	9280370	18	9282631	28
9290746	6	9322476	13	9280372	18	9282633	28
9290747	6	9280319	16	9280373	19	9296534	28
9312221	7	9280320	16	9280376	19	9319824	28
9312222	7	9280351	16	9280374	19	5211089	31
9312223	7	9280354	16	9280375	19	521110808	31
9290750	7	9280355	16	9287295	21	521110809	31
9290751	7	9280356	16	9291595	21	521110810	31
9290752	7	9280359	16	9299249	22	5211090	31
9294814	7	9280360	16	9299283	22	521110811	31
9294815	7	9280361	16	9299284	22	521110812	31
9297879	8	9280364	16	9320383	24	521110813	31
9298666	10	9280365	16	9320384	24	5211117	31
9298668	10	9280366	16	9320385	24	521110814	31
9298669	10	9280352	16	9299178	24	521110815	31
9298670	10	9280357	16	9299179	24	521110816	31
9298701	10	9280362	16	9289456	25	5211118	31
9298702	10	9280367	16	9289457	25	521110817	31
9298703	10	9280353	16	9289458	25	521110818	31
9300364	10	9303976	16	9289469	25	521110819	31
9300365	10	9280358	16	9289470	25	5211082	31
9300366	10	9303977	16	9289471	25	521110820	31
9300367	10	9280363	16	9289472	25	521110821	31
9300368	10	9303978	16	9289473	25	521110822	31
9300369	10	9280368	16	9289474	25	5211091	31
9300370	10	9303979	16	9289475	25	521110823	31
9293951	10	9292096	17	9289476	25	521110824	31
9293903	10	9292097	17	9289477	25	521110825	31
9293904	10	9292098	17	9289478	25	9283487	31
9293905	10	9292100	17	9289479	25	9302229	31
9293906	10	9292101	17	9289481	25	9302230	31
9295964	10	9292102	17	9289482	25	9306110	31

Order Number Index



Order no.	Page	Order no.	Page	Order no.	Page	Order no.	Page
9306161	31	521110841	33	521110868	34	9304875	39
9306163	31	521110842	33	521110869	34	9289732	39
9306164	31	521110843	33	521110870	34	9290708	40
9306165	31	5211105	33	1180122	36	9290706	40
9306167	31	521110844	33	1180121	36	9102465	40
9288842	32	521110845	33	1180167	36	9290707	40
9307853	32	521110846	33	1180166	36	9302837	40
9307854	32	9212563	33	1161173	36	9302840	40
9310252	32	9212564	33	1161167	36	9296712	41
9288844	32	521110847	33	9220976	36	9296713	41
9307856	32	521110848	33	9220978	36	9296714	41
9307857	32	521110849	33	9220975	36	9296715	41
9310253	32	521110850	33	9220977	36	9296716	41
9288848	32	521110851	33	9220980	36	9296717	41
9113913	32	521110852	33	9220982	36	9296718	41
9283491	32	9212565	33	9220979	36	9296719	41
9283495	32	9212566	33	9220981	36	9296720	41
9303247	32	521110853	33	9297998	36	9296721	41
5211094	32	521110854	33	9300407	36	9290695	41
521110826	32	521110855	33	9300394	36	9290696	41
521110827	32	521110856	33	9300395	36	9290698	41
521110828	32	521110857	33	9300396	36	9290702	41
5211095	32	521110858	33	9300397	36	9312049	41
521110829	32	9212567	34	9300398	36	9312111	41
521110830	32	521110859	34	9300399	36	9312112	41
521110831	32	521110860	34	9300400	36	9312113	41
5211106	33	521110861	34	9300411	36	9138921	42
521110832	33	9212568	34	9300412	36	9138922	42
521110833	33	521110862	34	9300408	36	9138923	42
521110834	33	521110863	34	9300409	36	9138924	42
5211113	33	521110864	34	9310024	36	9138925	42
521110835	33	9220600	34	5211053	37	9138926	42
521110836	33	5211109	34	5211054	37	9309958	43
521110837	33	9293678	34	5211055	37	9309961	43
5211093	33	9293699	34	9290887	39	9309962	43
521110838	33	5211096	34	9299651	39	9309963	43
521110839	33	521110865	34	9308957	39	9309964	43
521110840	33	521110866	34	9289656	39	9309965	43
9308603	33	521110867	34	9299653	39	9309966	43
5211104	33	5211097	34	9299654	39	9309967	43

Order Number Index



Order no.	Page	Order no.	Page	Order no.	Page	Order no.	Page
9309968	43	9291324	47	928814800	51	928910000	52
9312758	43	9291325	47	928814900	51	928910100	52
9309969	43	9291326	47	928815000	51	928910200	52
9312759	43	9291327	47	928815100	51	928910300	52
9309970	43	9291328	47	928815200	51	928910400	52
9309981	43	9291329	47	929129500	51	928910600	52
9309982	43	9291330	47	928815300	51	928910700	52
9309983	43	9291331	47	928815400	51	928910800	52
9309984	43	9291332	47	928815500	51	928911000	52
9312760	43	9291333	47	929129600	51	928911200	52
9312761	43	9291334	47	929129700	51	928911400	52
9312762	43	9291335	47	929129800	51	928911600	52
9309985	43	9291336	47	929129900	51	928911700	52
9309986	43	9291337	47	916238200	51	928911800	52
9309987	43	9291338	47	915445200	51	928911900	52
9309988	43	9291339	47	916238300	51	928912000	52
9309989	43	9291340	47	916238400	51	928912100	52
9309990	43	9291341	47	916238500	51	928912200	52
9309991	43	9291362	47	916238600	51	916936900	52
9309992	43	9291364	47	916238800	51	916237800	52
9309993	43	9291365	47	915445300	51	916937000	52
9309994	43	9291366	47	915445400	51	914809200	52
9309995	43	9291367	47	915445500	51	913798000	52
9309996	43	9291368	47	915445600	51	915382000	52
9309997	43	9291369	47	916238900	51	916237900	52
9309998	43	9291370	47	927714600	51	916238000	52
9278616	45	9291371	47	927714700	51	916937100	52
9278617	45	9291372	47	915445900	51	916238100	52
9278618	45	9291342	47	916939400	51	916937200	52
9278619	45	9291343	47	915446101	51	913799200	52
9278620	45	9291344	47	931859600	51	913799100	52
9278621	45	9291345	47	931859700	51	913799300	52
9268550	45	9291346	47	931859800	51	914027200	52
9268395	45	928814100	51	931859900	51	914027400	52
9268396	45	928814200	51	928903800	52	914027500	52
9277146	45	928814300	51	928908900	52	914027600	52
9277147	45	928814400	51	928909400	52	916937300	52
9322688	46	928814500	51	928909500	52	914809300	52
9291322	47	928814600	51	928909600	52	915382100	52
9291323	47	928814700	51	928909800	52	915382200	52

Order Number Index



Order no.	Page	Order no.	Page	Order no.	Page	Order no.	Page
916937600	52	928912500	53	926120800	54	928060800	55
916937800	52	928912600	53	926121200	54	928060900	55
916938000	52	916938100	53	926121400	54	928061000	55
541112040	52	916938200	53	926121500	54	925467100	56
541112050	52	916938300	53	927816800	54	925467200	56
541112060	52	916938400	53	927816900	54	925467300	56
541112070	52	916938500	53	927817000	54	927324600	56
541112080	52	913799900	53	927817100	54	919326000	56
541112090	52	914028200	53	927817200	54		
541112120	52	916938600	53	927817300	54		
541112130	52	916938700	53	927817400	54		
541112140	52	916938800	53	927817700	54		
541112150	52	916938900	53	927817900	54		
541112160	52	916939000	53	927818100	54		
541112170	52	913800000	53	927818200	54		
541112190	52	913802100	53	927818500	54		
541112180	52	916939100	53	927818600	54		
541112230	52	916939200	53	927819100	54		
541112240	52	916939300	53	71549	55		
541112250	52	541122050	53	71555	55		
541212030	52	541122120	53	71556	55		
541212040	52	541122140	53	71557	55		
541212050	52	541122150	53	71558	55		
541212060	52	541222040	53	71559	55		
541212070	52	541222050	53	71561	55		
541212080	52	541222120	53	71562	55		
541212090	52	541222130	53	71563	55		
541212120	52	541222140	53	9184222	55		
541212130	52	541222150	53	926247900	55		
541212140	52	926108200	54	926248000	55		
541212150	52	926108300	54	926251100	55		
541212160	52	926108400	54	926251200	55		
541212170	52	926108600	54	926251300	55		
541212180	52	926108700	54	926251400	55		
541212190	52	926109100	54	926251500	55		
541212230	52	926109200	54	928060300	55		
541212240	52	926109300	54	928060400	55		
541212250	52	926109400	54	928060500	55		
928912300	53	926109500	54	928060600	55		
928912400	53	926109700	54	928060700	55		

hepo

Assured Quality. Better Price.



0792 707 707

info@nextcraftke.com

Gate No. 95A
Limuru Road, Parklands.

www.nextcraftke.com

